



PARTS CATALOGUE

YFM35GA (5WHR) EUROPE

YFM350AA (5WHS) OCEANIA



1K5WH-300E1



YFM35GA/YFM350AA
PARTS CATALOGUE
©2010 by Yamaha Motor Co., Ltd.
1st edition, July 2010
All rights reserved.
Any reprinting or unauthorized use
without the written permission of
Yamaha Motor Co., Ltd.
is expressly prohibited.
Printed in Japan.

FOREWORD

This Parts Catalogue is related to the parts for the model(s) on the cover page. When you are ordering replacement parts, please refer to this Parts Catalogue and quote both part numbers and part names correctly.

1. Modifications or additions which have been made after the issue of the Parts Catalogue will be announced in the Parts News.

It is advisable that you make the necessary corrections to the Parts Catalogue according to the Parts News.

2. Abbreviations

The following abbreviations are used in this Parts Catalogue.

“UR” Use specified parts number.

“UN” Use as many as needed.

“AP” Alternate Parts

“LM” Locally Made (Parts need to be ordered locally)

“F#” Frame No. (Applicable machine No.)

“O/S” Over Size

3. The number of components for assembly

- Parts, which are to be supplied in an assembly, are listed with a dot (.) in front of the part name as shown below.
- The numeral appearing to the right of each component part indicates the quantity of parts for each assembly unit.

PART NO.	DESCRIPTION	Q'TY	REMARKS
2F5-83310-60	FRONT FLASHER LIGHT ASSY	2	
115-83311-60	.BULB (6V-18W)	1	

4. Applicable colours of graphics are represented in the “REMARKS” as shown below.

PART NO.	DESCRIPTION	Q'TY	REMARKS
2N4-24110-00-X5	FUEL TANK COMP.	2	MXR
3J1-24240-10	.GRAPHIC, FUEL TANK	1	FOR MXR

5. Note that the illustrations for reference in finding parts numbers are not to be used for assembling. When assembling, please use the applicable service manual.

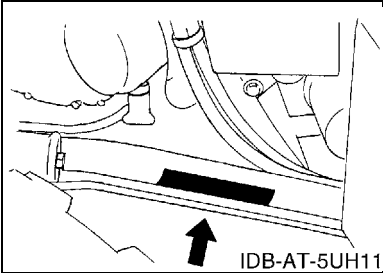
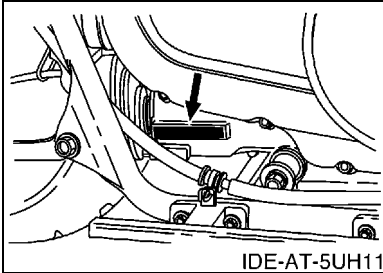
6. The asterisk (*) before a reference number indicates modified items after the first edition.

FOREWORD

7. Applicable Serial No.

Engine Serial No.

Frame Serial No.



8. Applicable Colour Code (The (*) mark shows Model colour.)

Abbreviation	Colour Name	Colour Code
DPBSN(*)	DARK PURPLISH BLUE SOLID N	0891
PDG(*)	PASTEL DEEP GREEN	00K0
RTR(*)	ROMANTIQUE ROUGE	00TR

9. Quantity Column Information

Column No.	Name Of Q'ty Column	Destination
1	EUR	EUROPE
2	OCE	OCEANIA

CONTENTS

ENGINE

CYLINDER HEAD	1
CYLINDER	3
CRANKSHAFT & PISTON	4
VALVE	6
CAMSHAFT & CHAIN	7
OIL PUMP	8
INTAKE	9
CARBURETOR	10
EXHAUST	12
CRANKCASE	13
CRANKCASE COVER 1	14
STARTER CLUTCH	16
CLUTCH	17
TRANSMISSION	19
MIDDLE DRIVE GEAR	20
SHIFT SHAFT	22

CHASSIS

FRAME	24
FRONT FENDER	26
REAR FENDER	27
SIDE COVER	28
REAR ARM	29
DRIVE SHAFT	30
REAR SUSPENSION	33
FRONT SUSPENSION & WHEEL	34
STEERING	35
FUEL TANK	36
SEAT	37
FRONT WHEEL	38
FRONT BRAKE CALIPER	40
REAR WHEEL	42
STEERING HANDLE & CABLE	44
FRONT MASTER CYLINDER	45
STAND & FOOTREST	46
GUARD	48
GENERATOR	49
STARTING MOTOR	50
METER	51
HEADLIGHT	53
TAILLIGHT	54

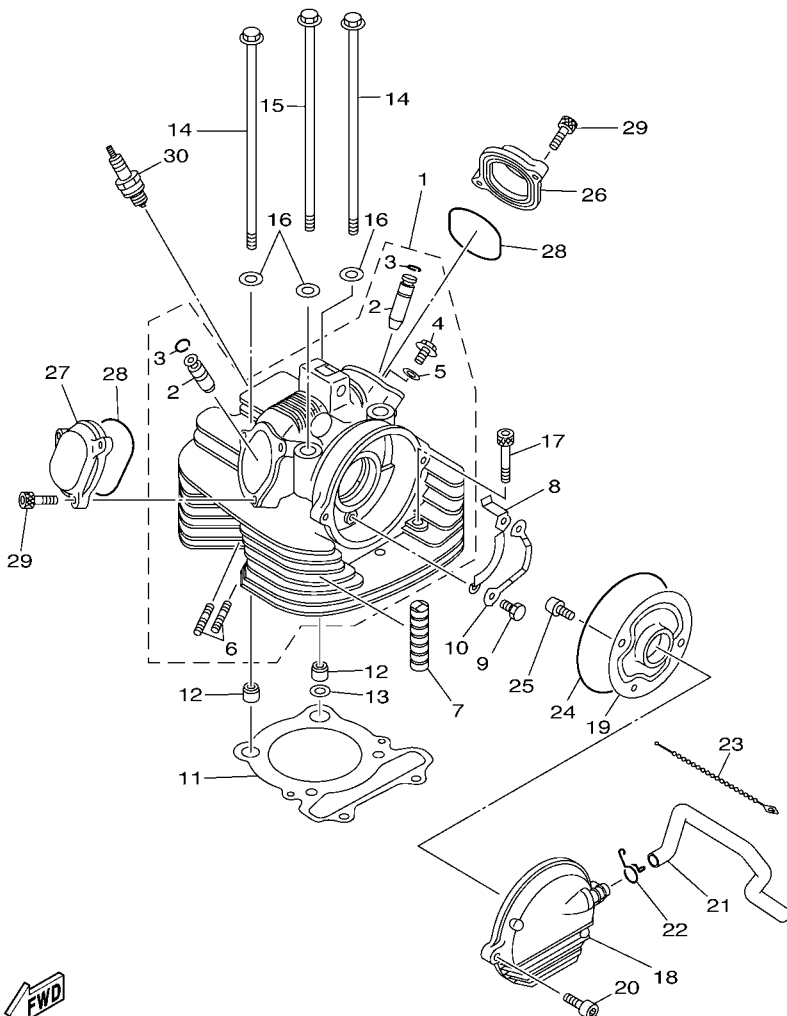
HANDLE SWITCH & LEVER	55
ELECTRICAL 1	56
ELECTRICAL 2	59
EMBLEM & LABEL 1	60
EMBLEM & LABEL 2	61

ALTERNATE PARTS

ALTERNATE FOR ENGINE	62
----------------------------	----

INDEX

NUMERICAL INDEX	63
-----------------------	----



4S21100-F010

FIG. 1 CYLINDER HEAD

REF. NO.	PART NO.	DESCRIPTION	EUR	QCE		REMARKS
1	5YT-11101-20	CYLINDER HEAD ASSY	1	1		
2	3Y1-11133-11	.GUIDE, VALVE 1	2	2		
3	93440-12052	.CIRCLIP	2	2		
4	95022-06014	.BOLT, FLANGE	1	1		
5	90430-06192	.GASKET	1	1		
6	90116-06041	.BOLT, STUD	2	2		
7	3Y1-11127-00	ABSORBER 3	2	2		
8	3Y1-1111F-00	PLATE	1	1		
9	97002-06012	BOLT	2	2		
10	90215-06162	WASHER, LOCK	1	1		
11	1UY-11181-01	GASKET, CYLINDER HEAD 1	1	1		
12	99530-14016	PIN, DOWEL	2	2		
13	90430-14240	GASKET	1	1		
14	90105-10137	BOLT, FLANGE	2	2		
15	90105-10136	BOLT, FLANGE	2	2		
16	90201-10128	WASHER, PLATE	4	4		
17	91312-08050	BOLT	2	2		
18	4WU-11160-01	BREATHER ASSY	1	1		
19	4KB-11165-00	PLATE, BREATHER	1	1		
20	95022-06012	BOLT, FLANGE	2	2		
21	3C2-E1166-00	PIPE, BREATHER 1	1	1		
22	90467-140A4	CLIP	1	1		
23	90464-39800	CLAMP	1	1		
24	93211-06635	O-RING	1	1		
25	91312-06025	BOLT	2	2		
26	2NL-11186-12	COVER, CYLINDER HEAD SIDE 2	1	1		
27	2NL-11187-11	COVER, CYLINDER HEAD SIDE 3	1	1		

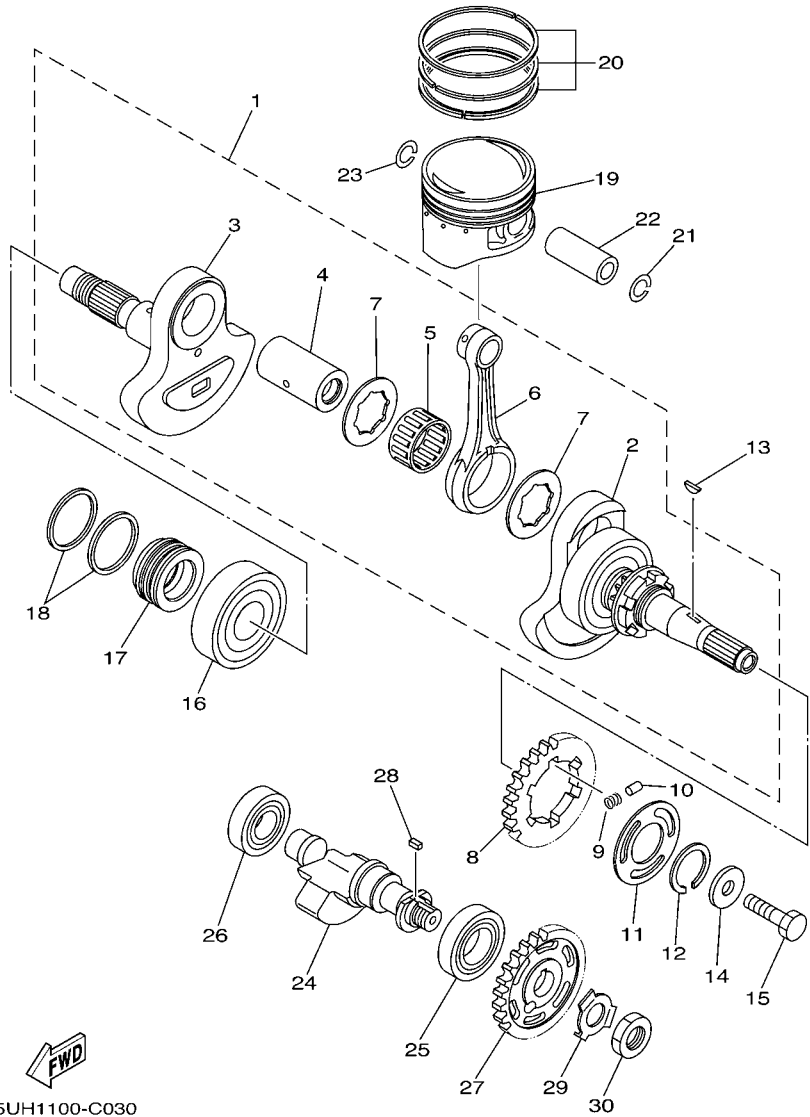
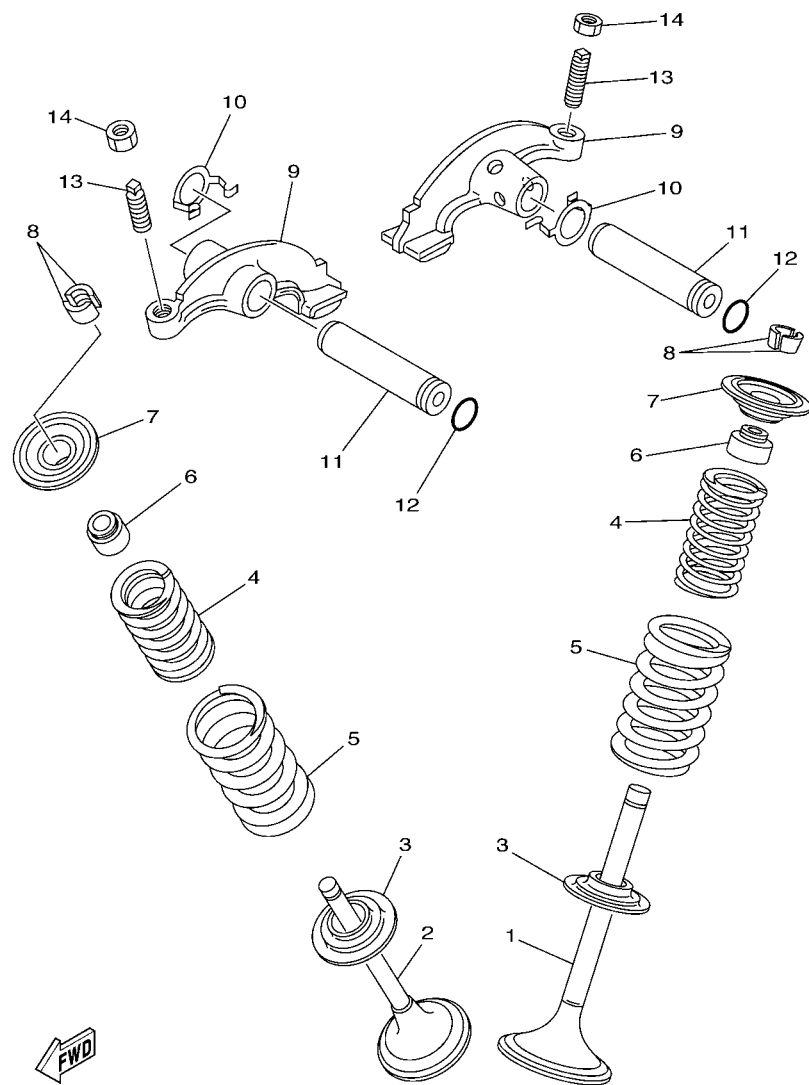


FIG. 3 CRANKSHAFT & PISTON

REF. NO.	PART NO.	DESCRIPTION	EUR	OCE	REMARKS
1	5UH-11400-00	CRANKSHAFT ASSY	1	1	
2	5UH-W1141-00	.CRANK SUB ASSY 1	1	1	
3	5UH-W1142-00	.CRANK SUB ASSY 2	1	1	
4	30X-11681-00	.PIN, CRANK 1	1	1	
5	93310-633P5	.BEARING	1	1	
6	5UH-11651-00	.ROD, CONNECTING	1	1	
7	90209-33253	.WASHER	2	2	
8	5UH-11536-00	GEAR, DRIVE	1	1	
9	90501-22721	SPRING, COMPRESSION	6	6	
10	93605-10090	PIN, DOWEL	3	3	
11	5UH-11565-00	WASHER, BEARING COVER	1	1	
12	99009-32400	CIRCLIP	1	1	
13	90280-05048	KEY, WOODRUFF	1	1	
14	90201-10038	WASHER, PLATE	1	1	
15	90101-10017	BOLT	1	1	
16	93306-30611	BEARING	1	1	
17	5UH-16181-00	SPACER 1	1	1	
18	5KM-11447-00	SEAL, CRANK	2	2	
19	5UH-11631-00-C0	PISTON (STD)	1	1	
	5UH-11636-00	PISTON (0.50MM O/S)	1	1	AP
	5UH-11638-00	PISTON (1.00MM O/S)	1	1	AP
20	4GB-11610-00	PISTON RING SET (STD)	1	1	
	4GB-11610-20	PISTON RING SET (0.50MM O/S)	1	1	AP
	4GB-11610-40	PISTON RING SET (1.00MM O/S)	1	1	AP
21	93450-19095	CIRCLIP	1	1	
22	55V-11633-00	PIN, PISTON	1	1	
23	93450-19095	CIRCLIP	1	1	



4KBM100-1040

FIG. 4 VALVE

REF. NO.	PART NO.	DESCRIPTION	EUR	QCE	REMARKS
1	1UY-12111-01	VALVE, INTAKE	1	1	
2	1UY-12121-01	VALVE, EXHAUST	1	1	
3	3Y1-12116-00	SEAT, VALVE SPRING	2	2	
4	22U-12113-00	SPRING, VALVE INNER	2	2	
5	1UY-12114-01	SPRING, VALVE OUTER	2	2	
6	M01-12129-00	SEAL, VALVE STEM	2	2	
7	3Y1-12117-01	RETAINER, VALVE SPRING	2	2	
8	1J7-12118-00	COTTER, VALVE	4	4	
9	3GD-12151-11	ARM, VALVE ROCKER	2	2	
10	90206-12001	WASHER, WAVE	2	2	
11	4SH-12156-00	SHAFT, ROCKER 2	2	2	
12	93210-09165	O-RING	2	2	
13	31G-12159-02	SCREW, VALVE ADJUSTING	2	2	
14	31G-12158-00	NUT, LOCK	2	2	

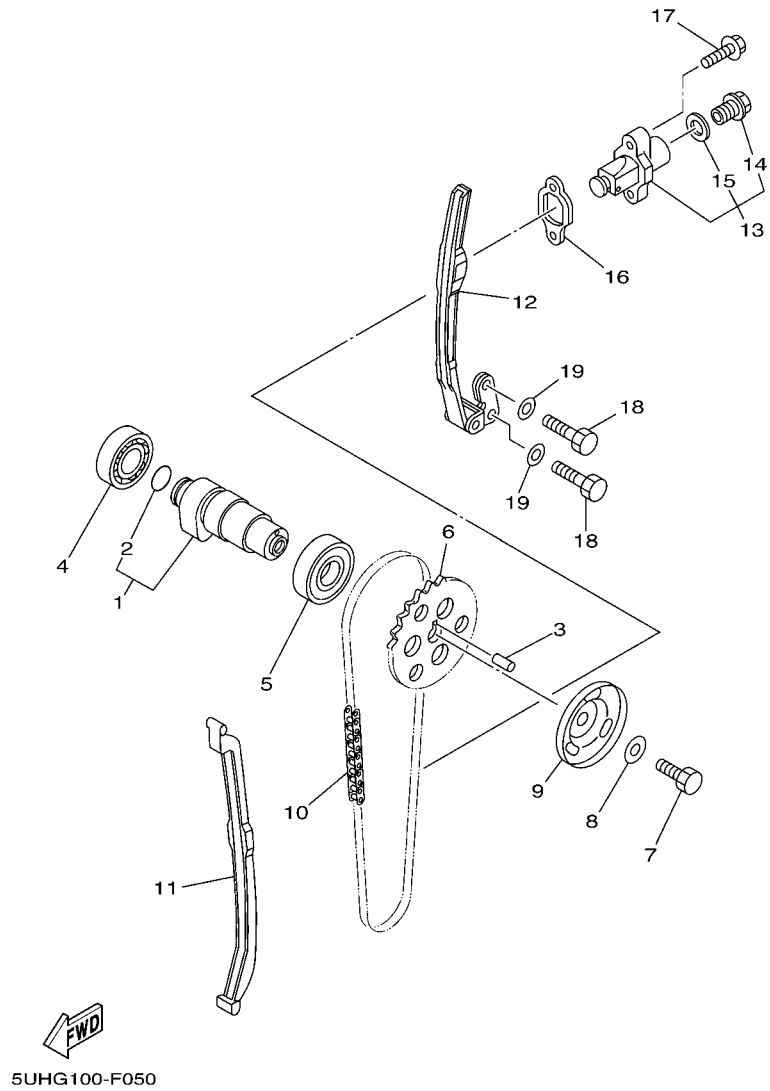
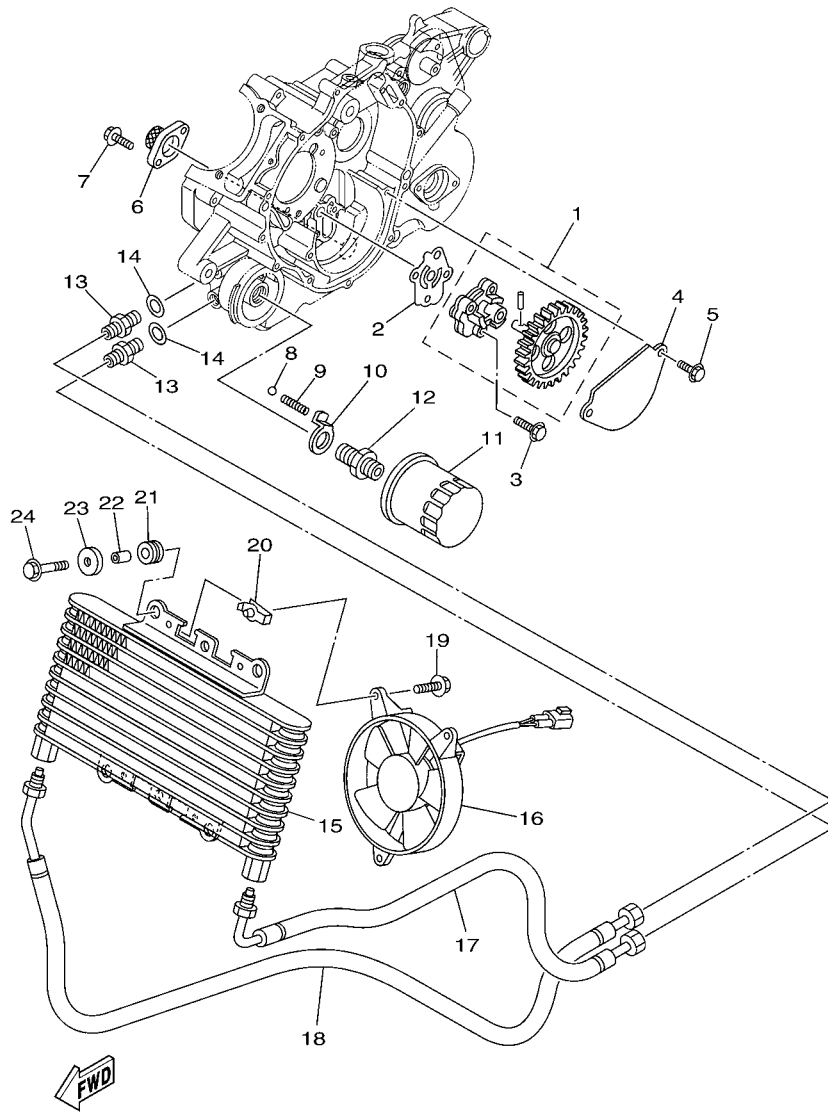


FIG. 5 CAMSHAFT & CHAIN

REF. NO.	PART NO.	DESCRIPTION	EUR	QTY	REMARKS
1	5UH-12170-10	CAMSHAFT ASSY 1	1	1	
2	93210-17003	.O-RING	1	1	
3	93604-10011	PIN, DOWEL	1	1	
4	93306-00438	BEARING	1	1	NIHONSEIKO
5	93306-00502	BEARING	1	1	
6	5UH-12176-00	SPROCKET, CAM CHAIN	1	1	
7	90101-10016	BOLT	1	1	
8	90201-10591	WASHER, PLATE	1	1	
9	4KB-11145-00	PLATE, BREATHER 2	1	1	
10	94591-87110	CHAIN (92RH2005-110M)	1	1	
11	5UH-12231-00	GUIDE, STOPPER 1	1	1	
12	5UH-12241-00	GUIDE, STOPPER 2	1	1	
13	31G-12210-01	TENSIONER ASSY, CAM CHAIN	1	1	
14	31G-12222-00	.PLUG	1	1	
15	31G-12214-00	.GASKET	1	1	
16	3GD-12213-00	GASKET, TENSIONER CASE	1	1	
17	95022-06025	BOLT, FLANGE	2	2	
18	97022-06016	BOLT	2	2	
19	92902-06600	WASHER, PLATE	2	2	



1AB1110-J060

FIG. 6 OIL PUMP

REF. NO.	PART NO.	DESCRIPTION	EUR	QCE	REMARKS
1	5UH-13300-00	OIL PUMP ASSY	1	1	
2	5UH-13329-00	GASKET, PUMP COVER	1	1	
3	95022-06025	BOLT, FLANGE	3	3	
4	5UH-13327-00	COVER, PUMP GEAR	1	1	
5	95022-06012	BOLT, FLANGE	2	2	
6	5UH-13411-00	STRAINER, OIL	1	1	
7	90105-05016	BOLT, FLANGE	2	2	
8	93505-16006	BALL	1	1	
9	90501-101A7	SPRING, COMPRESSION	1	1	
10	5UH-1319K-00	PLATE	1	1	
11	5GH-13440-20	ELEMENT ASSY, OIL CLEANER	1	1	
12	90401-20145	BOLT, UNION	1	1	
13	1S3-13132-00	JOINT	2	2	
14	90430-14043	GASKET	2	2	
15	5UH-E3480-00	ELEMENT, OIL COOLER	1	1	
16	5UH-E2405-10	BLOWER ASSY	1	1	
17	5UH-E3464-01	HOSE, OIL 1	1	1	
18	3D5-E3465-00	HOSE, OIL 2	1	1	
19	5UH-E3573-00	BOLT 1	3	3	
20	5UH-E3577-00	CLIP	3	3	
21	90480-15235	GROMMET	4	4	
22	90387-06113	COLLAR	4	4	
23	90209-06012	WASHER	4	4	
24	95802-06020	BOLT, FLANGE	4	4	

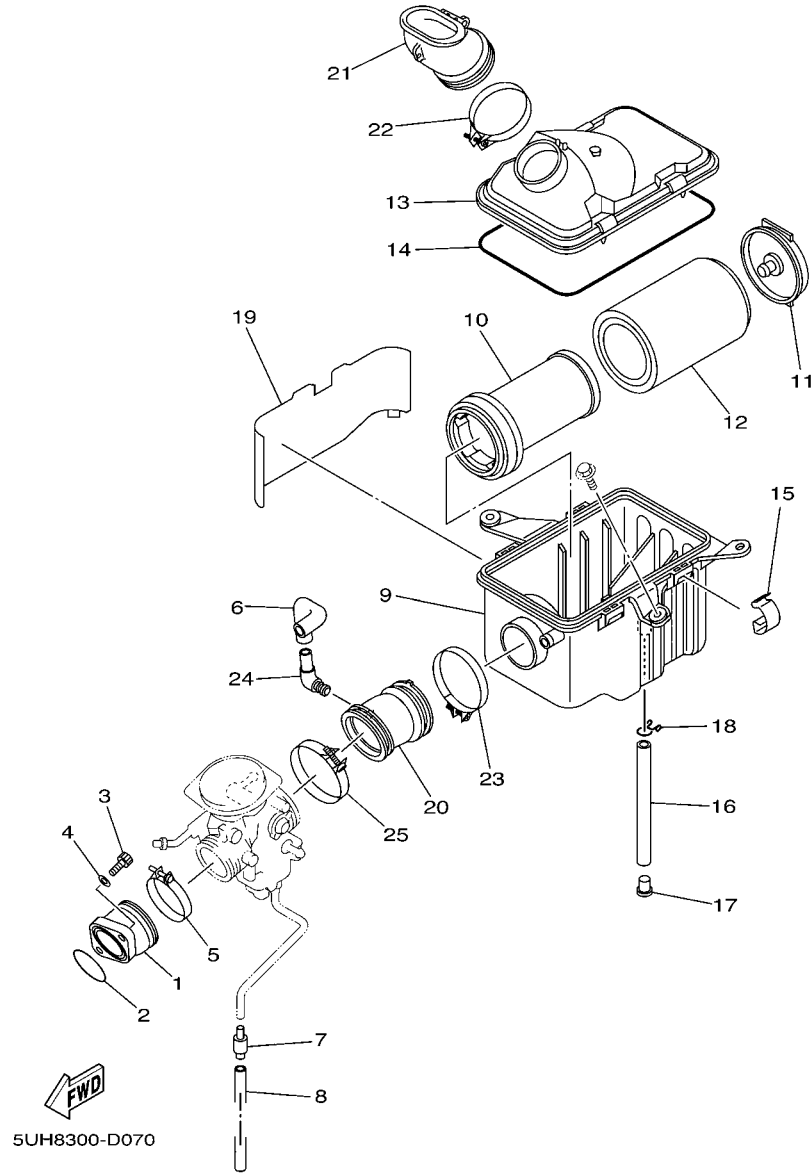
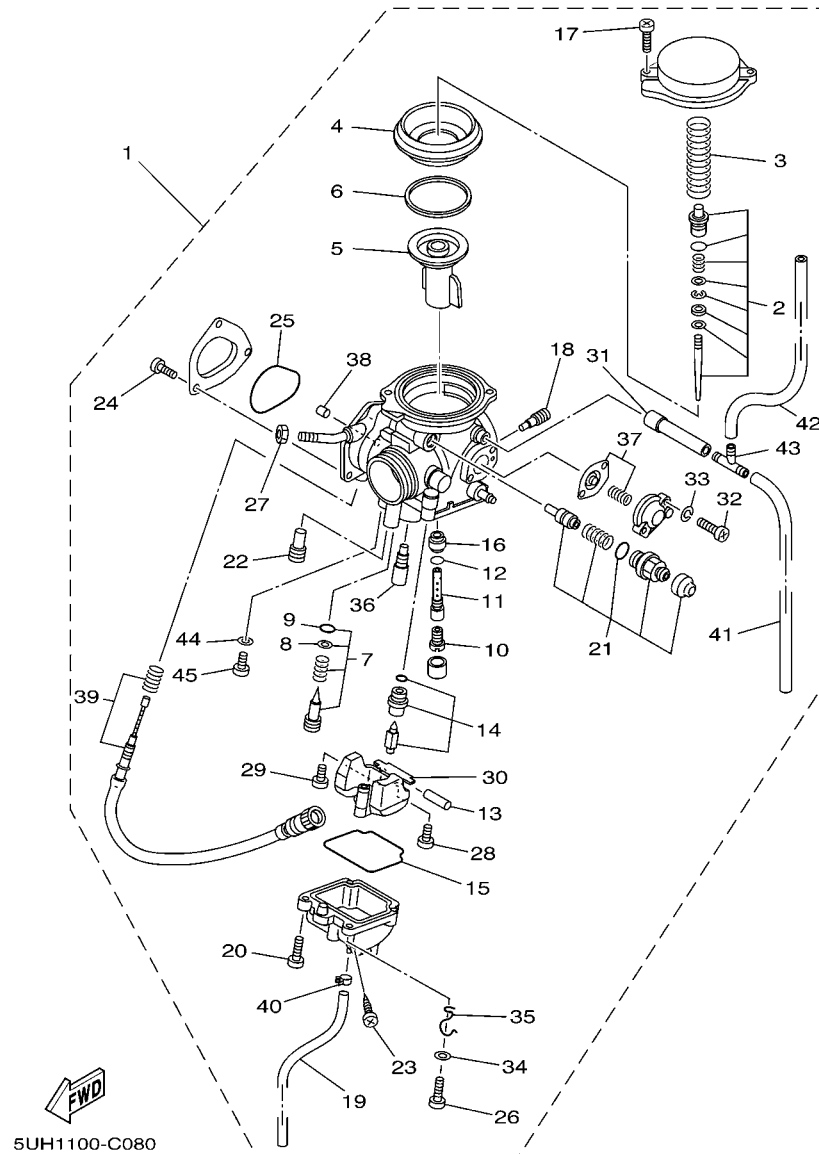


FIG. 7 INTAKE

REF. NO.	PART NO.	DESCRIPTION	EUR	OCE			REMARKS
1	5UH-13586-00	JOINT, CARBURETOR 1	1	1			
2	93210-44545	O-RING	1	1			
3	91312-08025	BOLT	2	2			
4	90201-08070	WASHER, PLATE	2	2			
5	90450-47002	HOSE CLAMP ASSY	1	1			
6	5UH-E4349-00	PIPE	1	1			
7	24W-14193-00	PIPE	1	1			
8	91A20-07014	TUBE, FLEXIBLE VINYL	1	1			
9	5UH-E4411-00	CASE, AIR CLEANER 1	1	1			
10	5UH-E4458-00	GUIDE	1	1			
11	5UH-E4468-00	PLATE,ELEMENT FITTING	1	1			
12	5UH-E4451-10	ELEMENT, AIR CLEANER	1	1			
13	5UH-E4412-00	CAP, CLEANER CASE 1	1	1			
14	5UH-E4462-00	SEAL	1	1			
15	5UH-E4424-00	CLIP, CAP FITTING	4	4			
16	5UH-E4769-10	PIPE, DRAIN	1	1			
17	5UH-E4191-00	PLUG, DRAIN	1	1			
18	5UH-E4438-00	CLIP, DRAIN CLEANER	1	1			
19	5ND-E442F-00	PROTECTOR	1	1			
20	5UH-E4453-00	JOINT, AIR CLEANER 1	1	1			
21	5ND-E4437-02	DUCT	1	1			
22	90450-58002	HOSE CLAMP ASSY	1	1			
23	90450-58002	HOSE CLAMP ASSY	1	1			
24	31A-14419-00	PIPE	1	1			
25	90450-56008	HOSE CLAMP ASSY	1	1			



5UH1100-C080

FIG. 8 CARBURETOR

REF. NO.	PART NO.	DESCRIPTION	EUR	OCE	REMARKS
1	5UH-E4101-01	CARBURETOR ASSY 1	1	1	
2	5UH-1490J-00	.NEEDLE SET	1	1	
3	5DM-14933-00	.SPRING, DIAPHRAGM	1	1	
4	5GH-14940-10	.DIAPHRAGM ASSY	1	1	
5	5DM-14112-00	.VALVE, THROTTLE 1	1	1	
6	5GH-14918-10	.RING	1	1	
7	5FU-14105-10	.PILOT SCREW SET	1	1	WHITE SPRING
8	3H1-14962-00	..WASHER	1	1	
9	3H1-14147-00	..O-RING	1	1	
10	3G2-1423E-51	.JET, MAIN (#128.8)	1	1	
11	5DM-14261-00	.HOLDER	1	1	
12	583-14561-00	.O-RING	1	1	
13	127-14186-00	.PIN, FLOAT	1	1	
14	4SV-14107-20	.NEEDLE VALVE SET	1	1	
15	5DM-14561-00	.O-RING	1	1	
16	5DM-141141-42	.NOZZLE, MAIN	1	1	
17	4KM-14216-00	.SCREW	2	2	
18	1HX-14231-16	.JET, MAIN (# 80)	1	1	
19	4KB-14193-20	.PIPE	1	1	
20	98580-04010	.SCREW, PAN HEAD	3	3	
21	5UH-1410A-00	.STARTER SET	1	1	
22	3G2-1423A-62	.JET, MAIN (#57.5)	1	1	
23	3FV-14191-00	.PLUG, DRAIN	1	1	
24	98507-04006	.SCREW, PAN HEAD	3	3	
25	5FU-E4147-00	.O-RING	1	1	
26	98507-04014	.SCREW, PAN HEAD	1	1	
27	522-14161-00	.NUT, CABLE ADJUSTING	1	1	

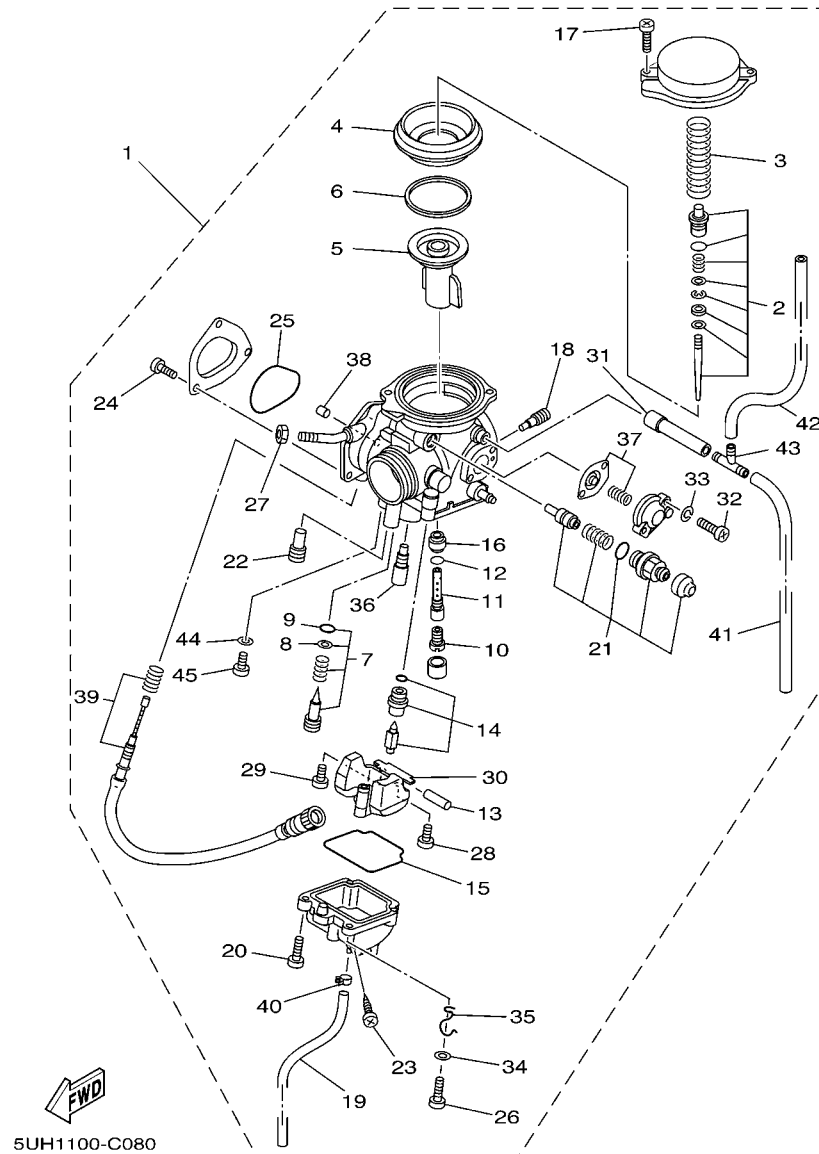


FIG. 8 CARBURETOR

REF. NO.	PART NO.	DESCRIPTION	EUR	OCE	REMARKS
28	98507-04008	.SCREW, PAN HEAD	1	1	
29	1FN-14565-00	.SCREW	1	1	
30	5DM-14985-00	.FLOAT	1	1	
31	5FU-14197-00	.PIPE	1	1	
32	98501-04014	.SCREW, PAN HEAD	2	2	
33	92902-04100	.WASHER, SPRING	2	2	
34	92907-04600	.WASHER	1	1	
35	5GH-14937-00	.CLIP	1	1	
36	4KM-14142-17	.JET, PILOT (# 17.5)	1	1	
37	5EL-1490H-00	.DIAPHRAGM SET 5	1	1	
38	5FU-E4155-00	.GUIDE, CABLE	1	1	
39	5UH-14103-00	.THROTTLE SCREW SET	1	1	
40	4XE-14937-00	.CLIP	1	1	
41	5UH-14348-00	.PIPE 1	1	1	
42	7T9-14987-00	.HOSE	1	1	
43	5FU-14167-00	.CONNECTOR	1	1	
44	256-14956-01	.WASHER	1	1	
45	3DM-14216-00	.SCREW	1	1	

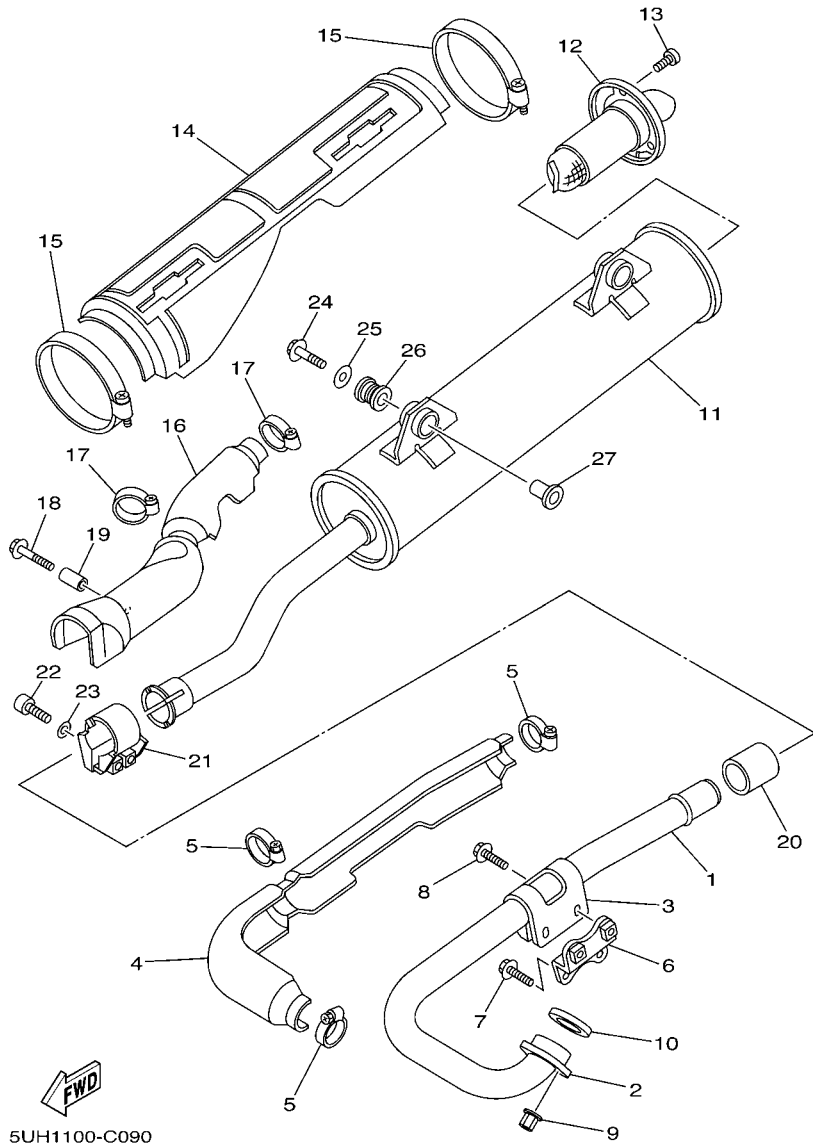


FIG. 9 EXHAUST

REF. NO.	PART NO.	DESCRIPTION	EUR	OCE	REMARKS
1	5UH-E4611-00	PIPE, EXHAUST 1	1	1	
2	5UH-E4612-00	NUT, RING	1	1	
3	5UH-E477R-00	BAND 1	1	1	
4	5UH-E4628-01	PROTECTOR, EXHAUST PIPE	1	1	
5	5UH-E477T-00	BAND 2	3	3	
6	5UH-E477K-01	PLATE 1	1	1	
7	95812-06016	BOLT, FLANGE	2	2	
8	95812-06020	BOLT, FLANGE	2	2	
9	90179-06668	NUT	2	2	
10	3GD-14613-00	GASKET, EXHAUST PIPE	1	1	
11	5UH-E4711-00	MUFFLER 1	1	1	
12	5ND-E4752-00	PIPE, OUTLET	1	1	
13	5ND-E4719-00	BOLT, MUFFLER	3	3	
14	5UH-E4718-00	PROTECTOR, MUFFLER 1	1	1	
15	5ND-E4788-00	BAND, SILENCER	2	2	
16	5UH-E4728-01	PROTECTOR, MUFFLER 2	1	1	
17	5UH-E477T-00	BAND 2	2	2	
18	9580P-06035	BOLT, FLANGE	1	1	
19	5UH-E4638-00	COLLAR	1	1	
20	5ND-E4714-00	GASKET, MUFFLER	1	1	
21	5ND-E4715-00	BAND, MUFFLER	1	1	
22	5ND-E4777-00	BOLT	2	2	
23	5ND-E4759-00	WASHER	2	2	
24	95822-10040	BOLT, FLANGE	2	2	
25	90201-10056	WASHER, PLATE	2	2	
26	5ND-E4737-00	DAMPER, MUFFLER	2	2	
27	90387-10636	COLLAR	2	2	

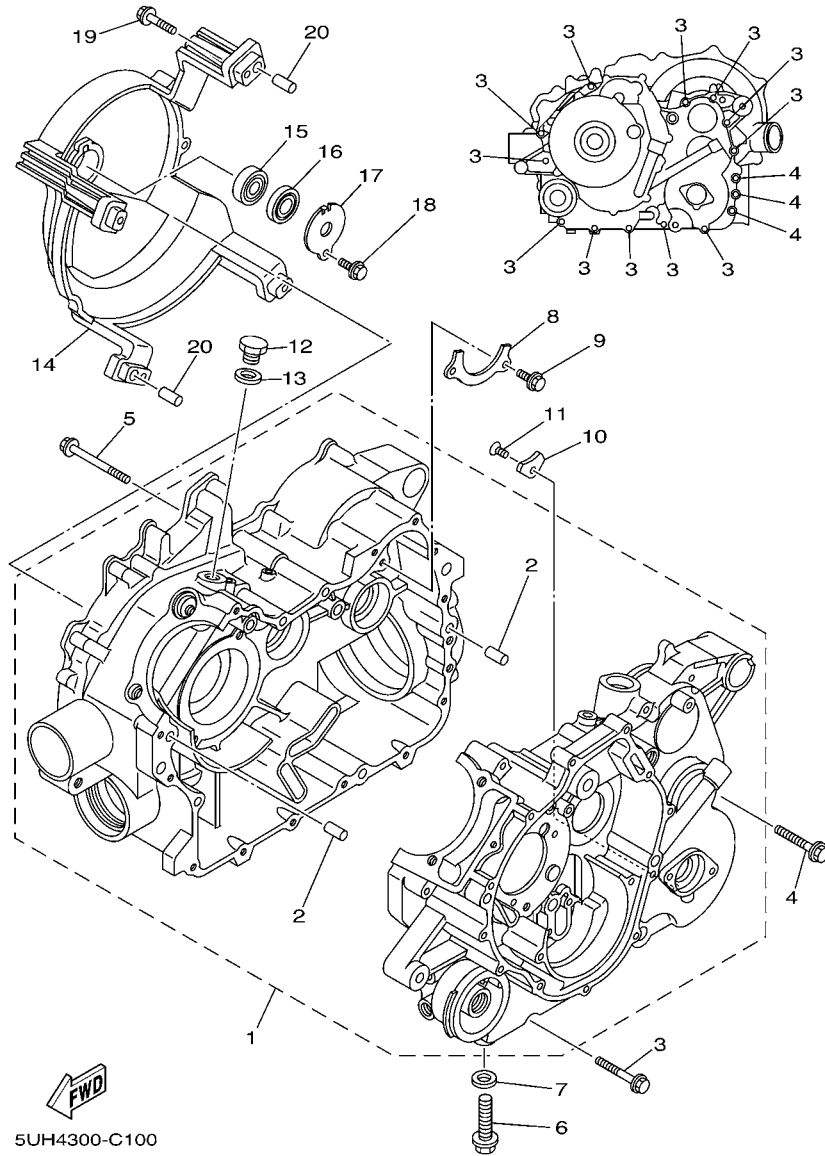
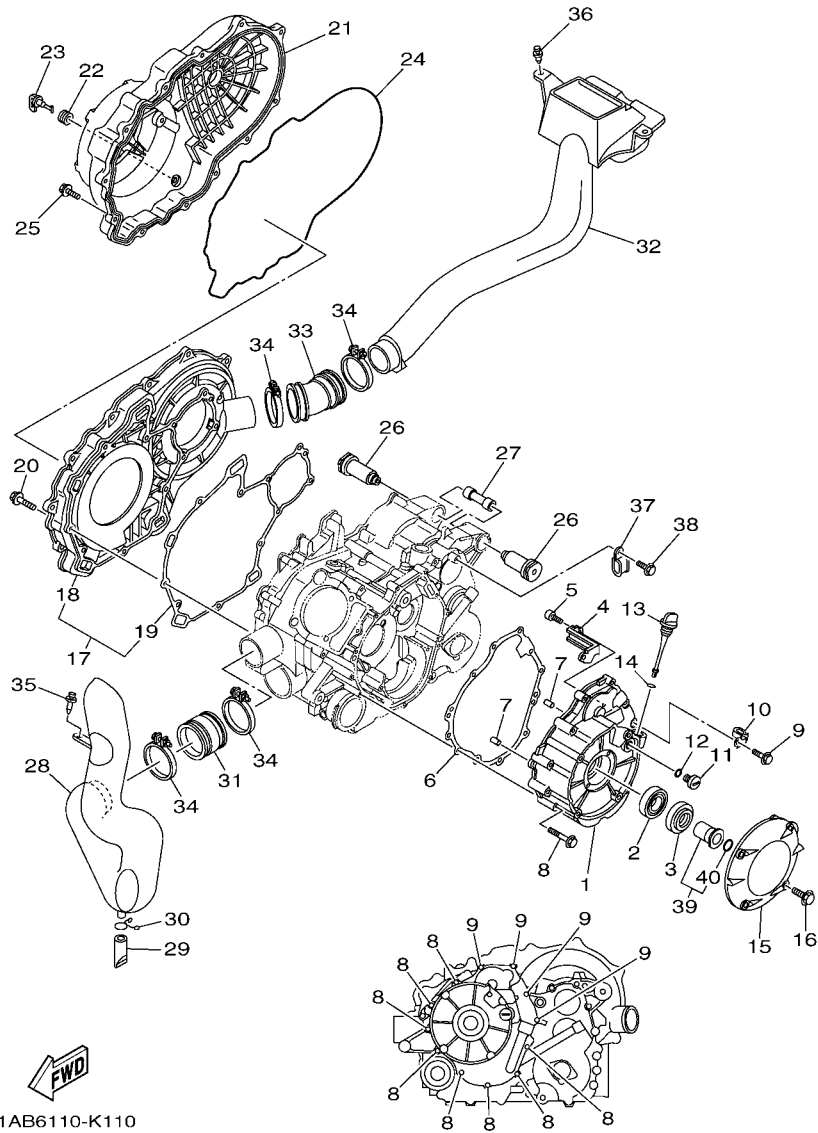


FIG. 10 CRANKCASE

REF. NO.	PART NO.	DESCRIPTION	EUR	QCE		REMARKS
1	5WH-15100-09	CRANKCASE ASSY	1	1		
2	99530-10116	.PIN, DOWEL	2	2		
3	95022-06050	BOLT, FLANGE	12	12		
4	95022-08045	BOLT, FLANGE	3	3		
5	95022-06070	BOLT, FLANGE	3	3		
6	95022-12040	BOLT, FLANGE	1	1		
7	90201-12172	WASHER, PLATE	1	1		
8	5GH-15388-00	PLATE, BEARING COVER	1	1		
9	95822-06012	BOLT, FLANGE	2	2		
10	2K7-15383-00	PLATE, BEARING COVER	1	1		
11	90151-06023	SCREW, COUNTERSUNK	1	1		
12	90340-14029	PLUG, STRAIGHT SCREW	1	1		
13	214-11198-01	GASKET	1	1		
14	5UH-15442-00	HOUSING, BEARING	1	1		
15	93306-20103	BEARING	1	1		
16	93101-12168	OIL SEAL	1	1		
17	4WV-15381-00	PLATE, BEARING COVER	1	1		
18	95022-06012	BOLT, FLANGE	1	1		
19	95822-06030	BOLT, FLANGE	4	4		
20	99530-10116	PIN, DOWEL	2	2		



1AB6110-K110

FIG. 11 CRANKCASE COVER 1

REF. NO.	PART NO.	DESCRIPTION	EUR	QTY	REMARKS
1	5UH-15411-00	COVER, CRANKCASE 1	1	1	
2	93306-07801	BEARING	1	1	
3	93102-28017	OIL SEAL	1	1	
4	5UH-15113-00	PLATE	1	1	
5	91312-05012	BOLT	2	2	
6	5UH-15451-00	GASKET, CRANKCASE COVER 1	1	1	
7	99530-10116	PIN, DOWEL	2	2	
8	95022-06050	BOLT, FLANGE	8	8	
9	95022-06030	BOLT, FLANGE	4	4	
10	90465-08127	CLAMP	1	1	
11	90340-14117	PLUG, STRAIGHT SCREW	1	1	
12	93210-14369	O-RING	1	1	
13	517-15362-10	PLUG, OIL LEVEL	1	1	
14	93210-19026	O-RING	1	1	
15	3C2-15492-00	COVER	1	1	
16	91312-06025	BOLT	4	4	
17	5UH-15420-00	CRANKCASE COVER ASSY 2	1	1	
18	5UH-15421-00	.COVER, CRANKCASE 2	1	1	
19	5UH-15315-00	.SEAL, CRANKCASE	1	1	
20	95822-06030	BOLT, FLANGE	9	9	
21	5UH-15431-00	COVER, CRANKCASE 3	1	1	
22	90480-13018	GROMMET	1	1	
23	5KM-15351-00	PLUG, DRAIN	1	1	
24	5UH-15379-00	SEAL, CRANKCASE	1	1	
25	95822-06020	BOLT, FLANGE	14	14	
26	90388-10001	DAMPER	2	2	
27	5UH-15317-00	SPACER, ENGINE MOUNT	1	1	

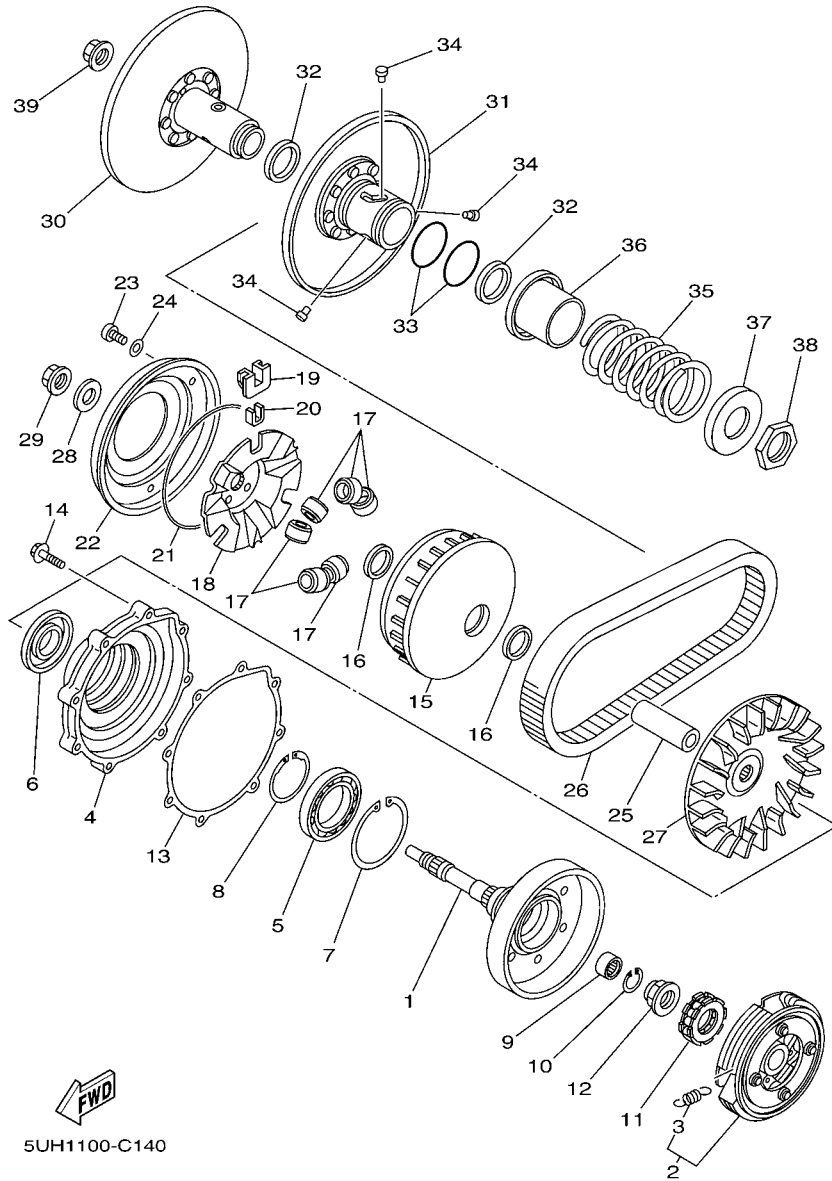
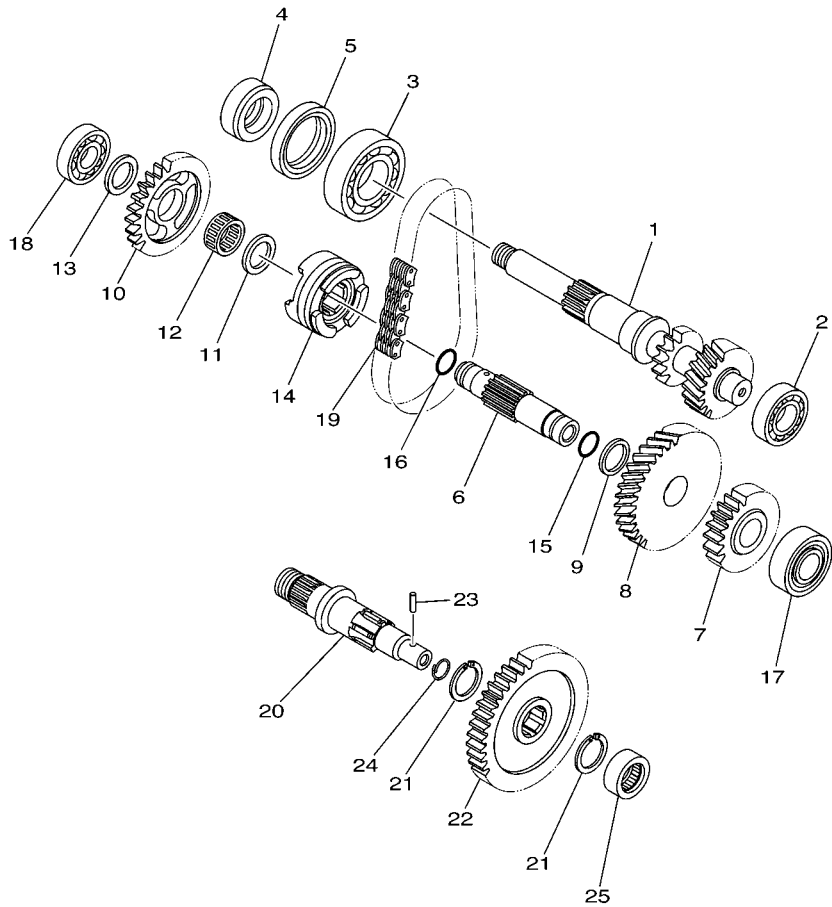


FIG. 13 CLUTCH

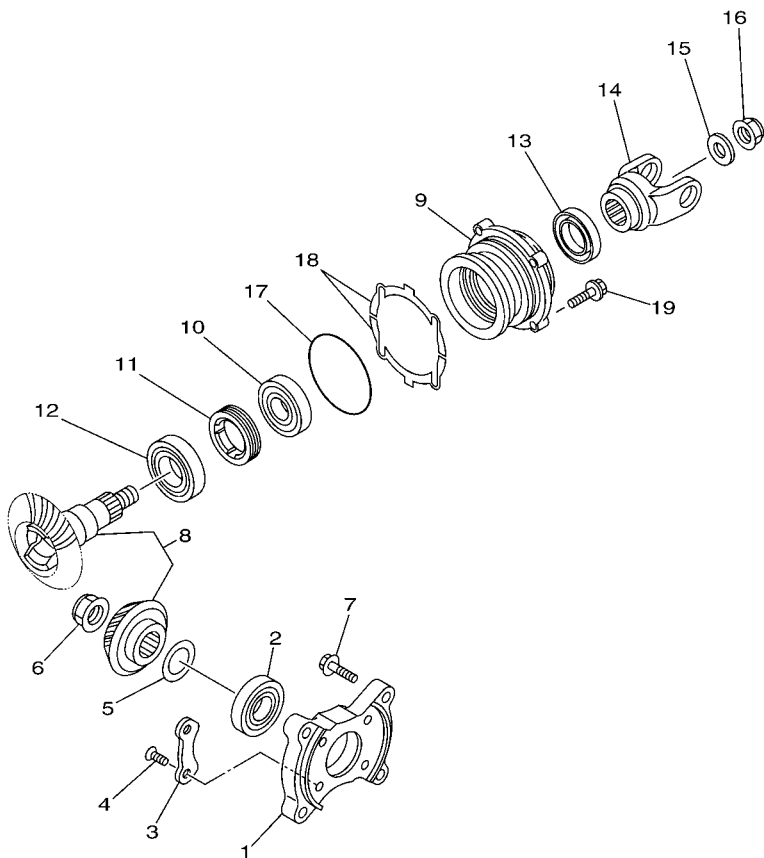
REF. NO.	PART NO.	DESCRIPTION	EUR	QCE			REMARKS
1	5UH-16611-00	CLUTCH HOUSING COMP.	1	1			
2	5UH-16620-00	CLUTCH CARRIER ASSY	1	1			
3	5UH-16626-00	.SPRING, CLUTCH WEIGHT 1	4	4			
4	5UH-15163-00	HOUSING, BEARING 1	1	1			
5	93316-01003	BEARING	1	1			
6	93102-32483	OIL SEAL	1	1			
7	99009-80500	CIRCLIP	1	1			
8	93410-46079	CIRCLIP	1	1			
9	93315-21813	BEARING	1	1			
10	93450-24062	CIRCLIP	1	1			
11	5GH-16664-00	BEARING, ONE WAY	1	1			
12	90179-22005	NUT	1	1			
13	5UH-15463-00	GASKET, COVER PINION 2	1	1			
14	95022-06030	BOLT, FLANGE	8	8			
15	5UH-17620-00	PRIMARY SLIDING SHEAVE COMP.	1	1			
16	93101-31167	OIL SEAL	2	2			
17	4WV-17632-00	WEIGHT	6	6			
18	5UH-17623-00	CAM	1	1			
19	4WV-17653-00	SLIDER	3	3			
20	4WV-17654-01	SPACER 1	3	3			
21	93211-52001	O-RING	1	1			
22	5UH-17639-00	STOPPER	1	1			
23	90157-04006	SCREW, PAN HEAD	3	3			
24	90201-047R9	WASHER, PLATE	3	3			
25	5UH-17645-00	COLLAR	1	1			
26	5UH-17641-01	V-BELT	1	1			
27	5UH-17611-00	SHEAVE, PRIMARY FIXED	1	1			



FWD
5UHG100-F150

FIG. 14 TRANSMISSION

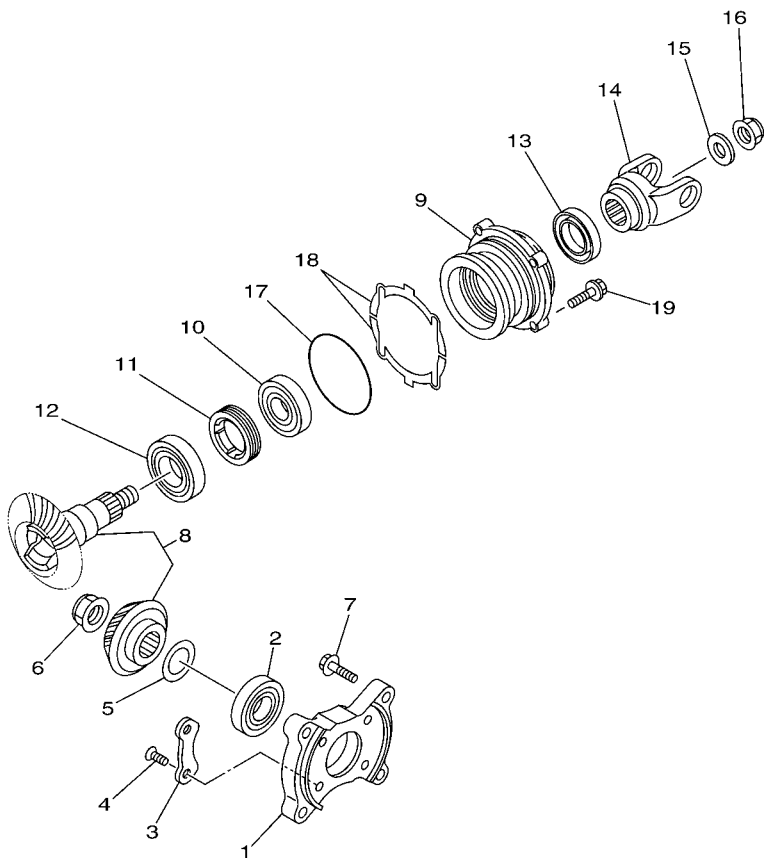
REF. NO.	PART NO.	DESCRIPTION	EUR	OCE	REMARKS
1	5UH-17681-20	SHAFT, SECONDARY	1	1	
2	93306-00401	BEARING	1	1	
3	93306-20601	BEARING	1	1	
4	5UH-17168-00	COLLAR 2	1	1	
5	93102-42004	OIL SEAL	1	1	
6	5UH-17421-10	AXLE, DRIVE	1	1	
7	5UH-17582-11	GEAR, MIDDLE DRIVE (21T)	1	1	
8	5UH-17223-10	GEAR, HIGH WHEEL (35T)	1	1	
9	90201-21015	WASHER, PLATE	1	1	
10	5UH-17453-00	SPROCKET, DRIVEN (26T)	1	1	
11	90201-20278	WASHER, PLATE	1	1	
12	93310-420F2	BEARING	1	1	
13	90201-17013	WASHER, PLATE	1	1	
14	5UH-17285-00	CLUTCH, DOG	1	1	
15	93210-17003	O-RING	1	1	
16	93210-14299	O-RING	1	1	
17	93306-20464	BEARING	1	1	
18	93306-20306	BEARING	1	1	
19	94591-54034	CHAIN (23RH302-34ASM)	1	1	
20	5UH-17523-00	SHAFT	1	1	
21	93440-25084	CIRCLIP	2	2	
22	5UH-17583-01	GEAR, MIDDLE DRIVEN (41T)	1	1	
23	93603-14240	PIN, DOWEL	1	1	
24	93440-14155	CIRCLIP	1	1	
25	93311-42077	BEARING	1	1	



FWD
3D58110-H150

FIG. 15 MIDDLE DRIVE GEAR

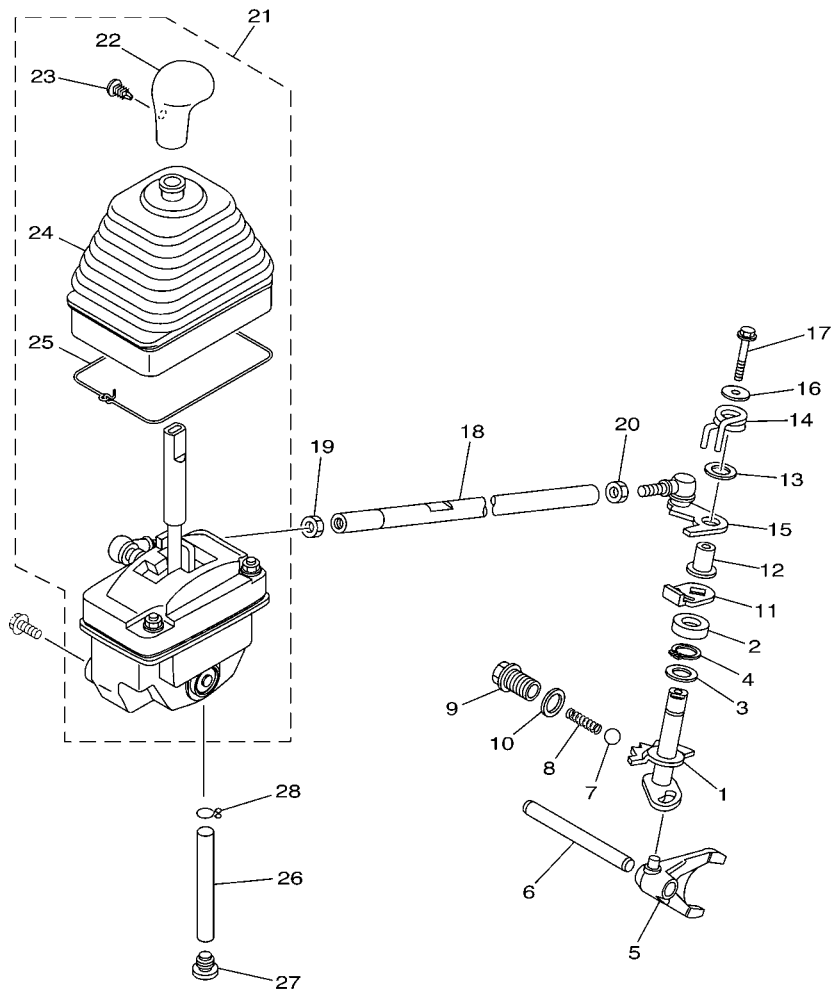
REF. NO.	PART NO.	DESCRIPTION	EUR	OCE	REMARKS
1	5UH-17521-00	HOUSING, BEARING	1	1	
2	93306-20532	BEARING	1	1	
3	11H-15383-02	PLATE, BEARING COVER	2	2	
4	90149-08013	SCREW	4	4	
5	5KM-17531-00	SHIM, PINION (0.1T)	1	1	UR
5KM-17531-10	SHIM, PINION (0.15T)	1	1	UR	
5KM-17531-20	SHIM, PINION (0.2T)	1	1	UR	
5KM-17531-30	SHIM, PINION (0.3T)	1	1	UR	
5KM-17531-40	SHIM, PINION (0.4T)	1	1	UR	
5KM-17531-50	SHIM, PINION (0.5T)	1	1	UR	
5KM-17531-60	SHIM, PINION (0.55T)	1	1	UR	
5KM-17531-70	SHIM, PINION (0.6T)	1	1	UR	
6	90179-22015	NUT	1	1	
7	90105-08150	BOLT, FLANGE	4	4	
8	5UH-17530-10	PINION SET	1	1	
9	5GH-17551-00	HOUSING, BEARING	1	1	
10	93306-30538	BEARING	1	1	
11	90179-65305	NUT	1	1	
12	93306-20715	BEARING	1	1	
13	93101-35097	OIL SEAL	1	1	
14	5UH-17556-10	YOKE, JOINT	1	1	
15	90201-166R6	WASHER, PLATE	1	1	
16	90179-16006	NUT	1	1	
17	93210-78544	O-RING	1	1	
18	5GH-17531-00	SHIM, PINION (0.1T)	2	2	UR
5GH-17531-10	SHIM, PINION (0.15T)	2	2	UR	
5GH-17531-20	SHIM, PINION (0.2T)	2	2	UR	



3D58110-H150

FIG. 15 MIDDLE DRIVE GEAR

REF. NO.	PART NO.	DESCRIPTION	EUR	OCE		REMARKS
18	5GH-17531-30	SHIM, PINION (0.3T)	2	2		UR
	5GH-17531-40	SHIM, PINION (0.4T)	2	2		UR
	5GH-17531-50	SHIM, PINION (0.5T)	2	2		UR
	5GH-17531-60	SHIM, PINION (0.6T)	2	2		UR
19	90119-08114	BOLT, WITH WASHER	4	4		
<hr/>						
<hr/>						
<hr/>						
<hr/>						
<hr/>						
<hr/>						
<hr/>						
<hr/>						
<hr/>						




 5UHB100-E170

FIG. 16 SHIFT SHAFT

REF. NO.	PART NO.	DESCRIPTION	EUR	QCE			REMARKS
1	5UH-18103-00	SHIFT SHAFT COMP.	1	1			
2	93102-15212	OIL SEAL	1	1			
3	90201-15701	WASHER, PLATE (T=1.0)	1	1			
4	93440-15012	CIRCLIP	1	1			
5	5UH-18511-00	FORK, SHIFT 1	1	1			
6	2A6-18535-00	BAR, SHIFT FORK GUIDE 2	1	1			
7	93503-08007	BALL	1	1			
8	90501-10353	SPRING, COMPRESSION	1	1			
9	90105-14003	BOLT, FLANGE	1	1			
10	90430-14194	GASKET	1	1			
11	4SH-18198-00	LEVER	1	1			
12	90387-0613B	COLLAR	1	1			
13	90201-132G5	WASHER, PLATE	1	1			
14	90508-35764	SPRING, TORSION	1	1			
15	5UH-18191-00	LEVER	1	1			
16	90201-06036	WASHER, PLATE	1	1			
17	95812-06035	BOLT, FLANGE	1	1			
18	5UH-18115-01	ROD, SHIFT	1	1			
19	90170-08358	NUT	1	1			
20	95302-08700	NUT	1	1			
21	5UH-18300-01	SHIFTER ASSY	1	1			
22	5TE-18174-00	.KNOB, SHIFT LEVER	1	1			
23	90269-05055	.RIVET	1	1			
24	5GH-18131-00	.BOOT, SEALING	1	1			
25	5GH-18617-00	.STOPPER,RUBBER	1	1			
26	90446-16001	HOSE (L90)	1	1			
27	5ND-E4191-10	PLUG, DRAIN	1	1			

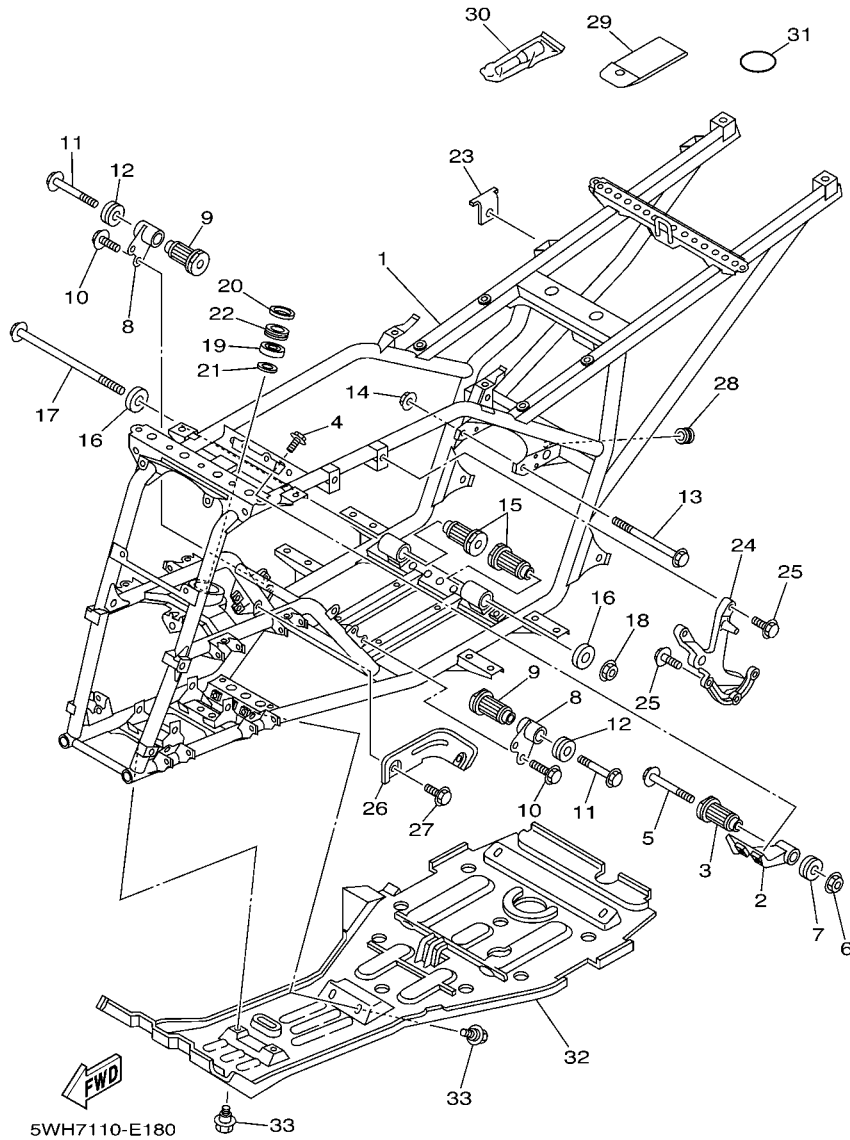


FIG. 17 FRAME

REF. NO.	PART NO.	DESCRIPTION	EUR	OCE	REMARKS
1	5UH-F1110-02	FRAME COMP.	1	1	
2	5UH-F1315-01	STAY, ENGINE 2	1	1	
3	5UH-E5336-00	DAMPER, ENGINE MOUNT 3	1	1	
4	95812-08012	BOLT, FLANGE	2	2	
5	95812-10110	BOLT, FLANGE	1	1	
6	95602-10200	NUT, U FLANGE	1	1	
7	5ND-F1486-00	DAMPER 2	1	1	
8	5UH-F1316-01	STAY, ENGINE 3	2	2	
9	5UH-E5336-00	DAMPER, ENGINE MOUNT 3	2	2	
10	95812-08012	BOLT, FLANGE	4	4	
11	95812-10080	BOLT, FLANGE	2	2	
12	5ND-F1486-00	DAMPER 2	2	2	
13	90105-10193	BOLT, FLANGE	1	1	
14	95602-10200	NUT, U FLANGE	1	1	
15	5UH-E5336-00	DAMPER, ENGINE MOUNT 3	2	2	
16	5ND-F1488-00	DAMPER	2	2	
17	90105-10284	BOLT, FLANGE	1	1	
18	95602-10200	NUT, U FLANGE	1	1	
19	93306-203YN	BEARING	1	1	
20	93102-25081	OIL SEAL	1	1	
21	93102-25099	OIL SEAL	1	1	
22	2GU-23872-00	HOLDER, BEARING	1	1	
23	5ND-F1446-01	STAY, MUFFLER 2	1	1	
24	5ND-F1585-01	ARM	1	1	
25	95822-08020	BOLT, FLANGE	5	5	
26	5UH-F2825-00	PROTECTOR 1	1	1	
27	95812-06010	BOLT, FLANGE	2	2	

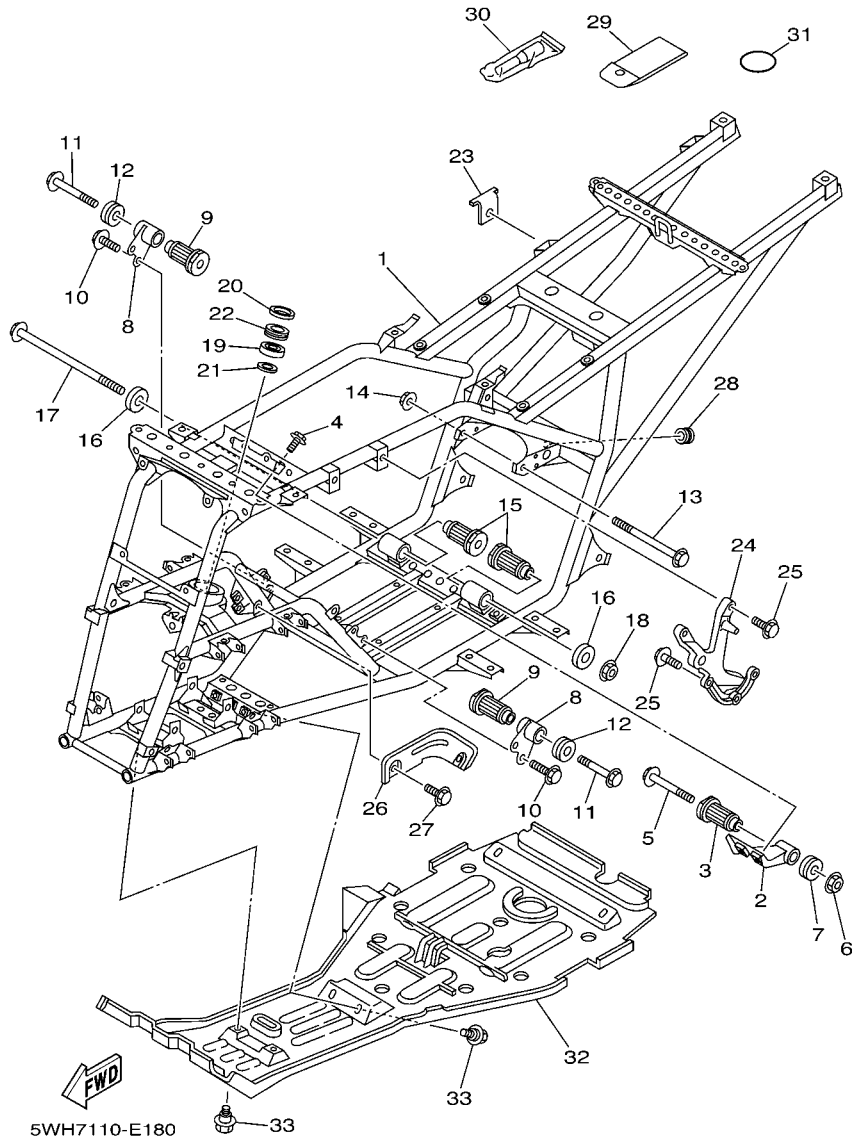


FIG. 17 FRAME

REF. NO.	PART NO.	DESCRIPTION	EUR	OCÉ		REMARKS
28	90480-10517	GROMMET	1	1		
29	5ND-F8100-00	TOOL KIT	1	1		
30	1NV-2811A-01	GAUGE, AIR	1	1		
31	93210-64297	O-RING	1	1		
32	5ND-F147A-02	GUARD, ENGINE 1	1	1		
33	90109-06172	BOLT	8	8		
<hr/>						
<hr/>						
<hr/>						
<hr/>						
<hr/>						
<hr/>						
<hr/>						
<hr/>						
<hr/>						
<hr/>						
<hr/>						

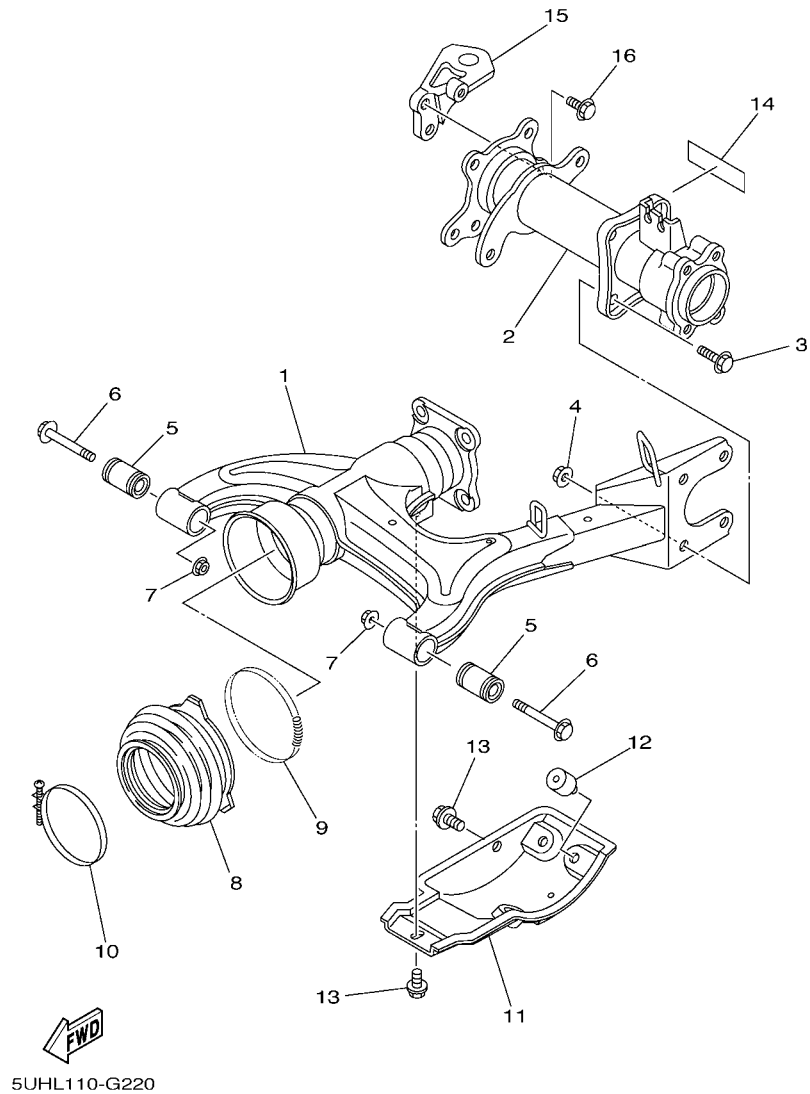


FIG. 21 REAR ARM

REF. NO.	PART NO.	DESCRIPTION	EUR	QTY	REMARKS
1	3C2-F2110-00	REAR ARM COMP.	1	1	
2	5TE-G6540-12	REAR AXLE HOUSING COMP.	1	1	
3	95812-10020	BOLT, FLANGE	4	4	
4	95702-10500	NUT, FLANGE	4	4	
5	5ND-F2123-00	BUSH 1	2	2	
6	90105-12057	BOLT, FLANGE	2	2	
7	95602-12200	NUT, SELF-LOCKING	2	2	
8	5ND-F2189-00	BOOT, RUBBER	1	1	
9	90506-07135	SPRING, TENSION	1	1	
10	90460-85277	CLAMP, HOSE	1	1	
11	4XE-F219X-01	COVER	1	1	
12	109-27114-00	STOPPER, MAIN STAND	3	3	
13	95802-08012	BOLT, FLANGE	2	2	
14	4S2-F817S-00	LABEL, PULLING LOAD LIMIT	1		
	5ND-F151K-00	LABEL 7	1		ENGLISH
15	5ND-F8488-20	HOOK	1		
	5ND-F8488-30	HOOK	1		
16	95812-10020	BOLT, FLANGE	3	3	

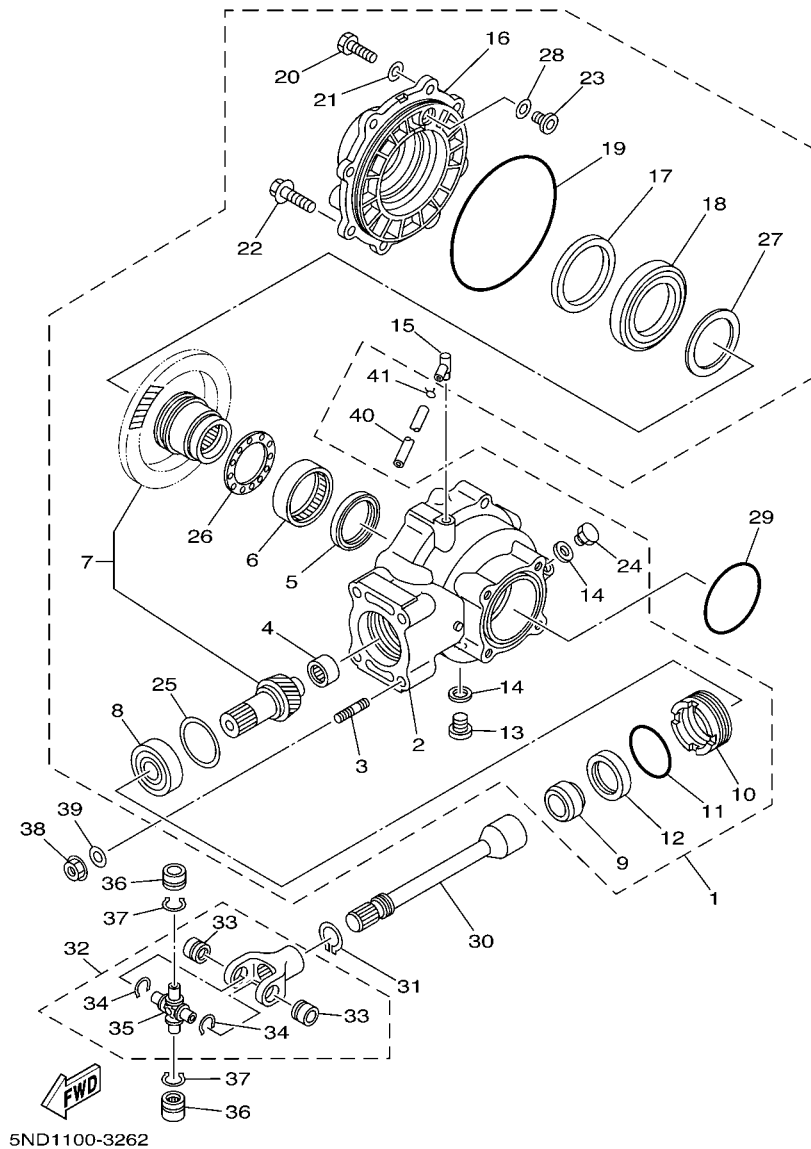


FIG. 22 DRIVE SHAFT

REF. NO.	PART NO.	DESCRIPTION	EUR	OCE	REMARKS
1	5ND-G6101-03	REAR AXLE GEAR CASE ASSY	1	1	
2	5ND-G6151-01	.HOUSING, DRIVE SHAFT	1	1	
3	90116-10593	.BOLT, STUD	4	4	
4	4XE-G6102-00	.BEARING ASSY	1	1	
5	93101-52116	.OIL SEAL	1	1	
6	93317-855Y9	.BEARING	1	1	
7	5GT-Y4612-00	.RING GEAR SET	1	1	
8	93306-305Y6	.BEARING	1	1	
9	90387-255H9	.COLLAR	1	1	
10	29U-46125-00	.RETAINER, BEARING	1	1	
11	93210-59531	.O-RING	1	1	
12	93101-38098	.OIL SEAL	1	1	
13	90340-14046	.PLUG, STRAIGHT SCREW	1	1	
14	214-11198-01	.GASKET	2	2	
15	2N4-15371-00	.BREATHER	1	1	
16	5ND-G6152-00	.HOUSING, BEARING	1	1	
17	93102-65386	.OIL SEAL	1	1	
18	93316-013Y0	.BEARING	1	1	
19	93211-51749	.O-RING	1	1	
20	97022-08025	.BOLT	6	6	
21	92902-08600	.WASHER, PLATE	6	6	
22	95812-10025	.BOLT, FLANGE	2	2	
23	5FU-G6156-00	.STOPPER, RING GEAR	1	1	
24	90340-14029	.PLUG, STRAIGHT SCREW	1	1	
25	4XE-E7537-15	.SHIM, THRUST(T=0.15MM)	1	1	UR
	4XE-E7537-30	.SHIM, THRUST(T=0.30MM)	1	1	UR
	4XE-E7537-40	.SHIM, THRUST(T=0.40MM)	1	1	UR

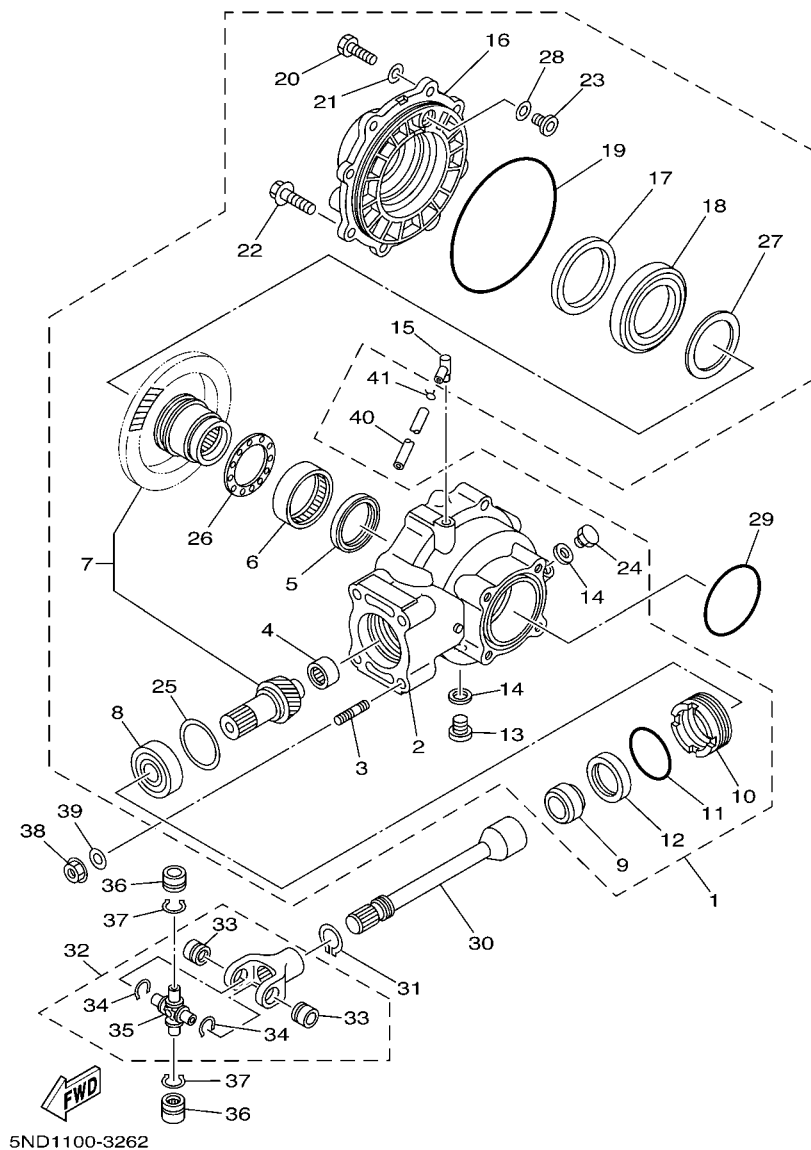
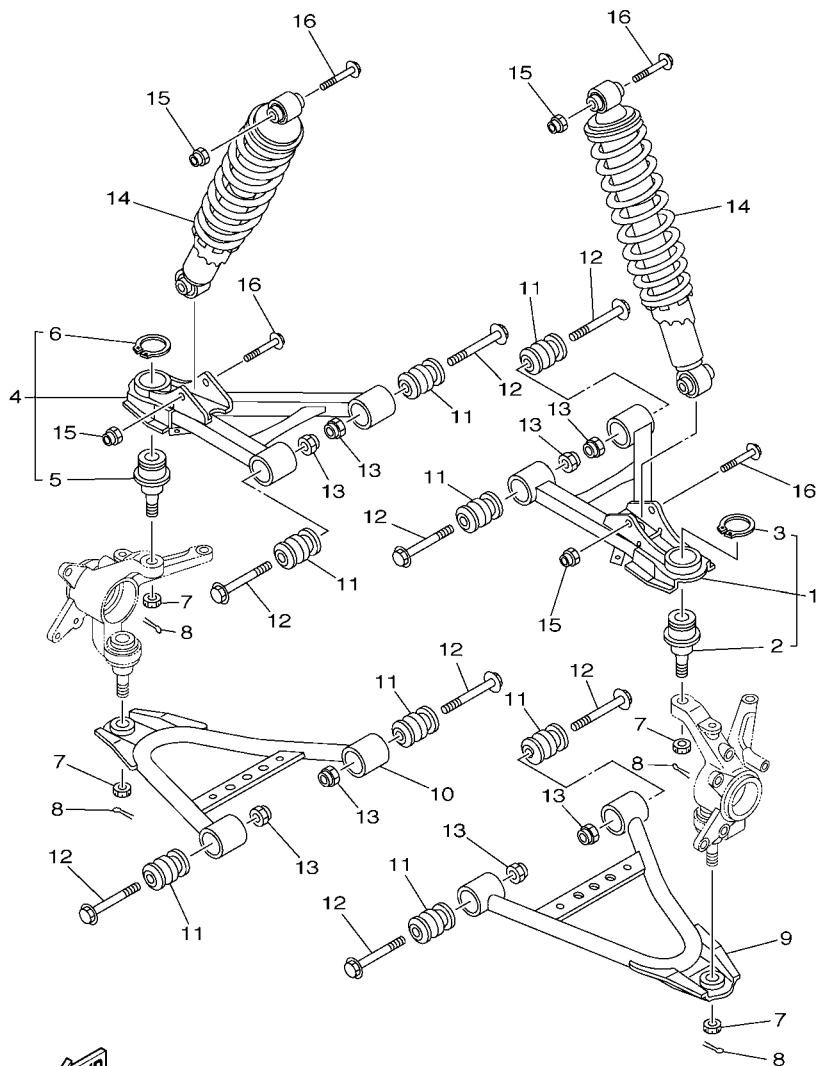


FIG. 22 DRIVE SHAFT

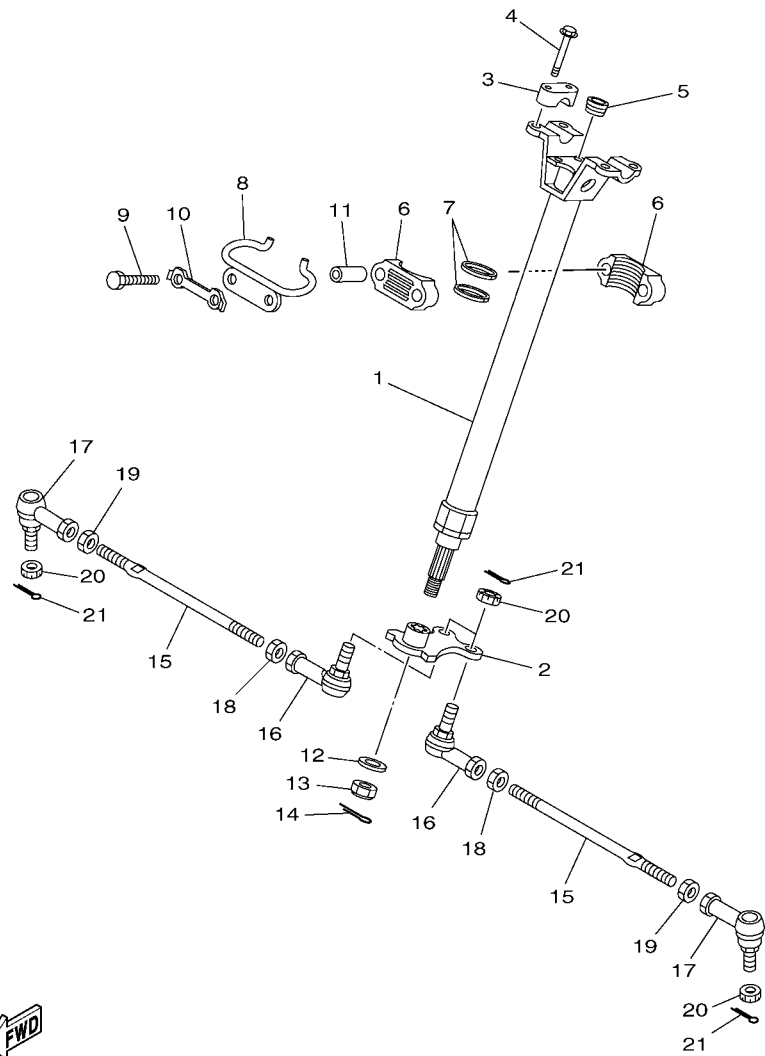
REF. NO.	PART NO.	DESCRIPTION	EUR	OCE		REMARKS
25	4XE-E7537-45	.SHIM, THRUST(T=0.45MM)	1	1		UR
	4XE-E7537-50	.SHIM, THRUST(T=0.50MM)	1	1		UR
	4XE-E7537-60	.SHIM, THRUST(T=0.60MM)	1	1		UR
26	4XE-G6118-10	.SHIM, THRUST(T=1.0MM)	1	1		UR
	4XE-G6118-11	.SHIM, THRUST(T=1.1MM)	1	1		UR
	4XE-G6118-12	.SHIM, THRUST(T=1.2MM)	1	1		UR
	4XE-G6118-13	.SHIM, THRUST(T=1.3MM)	1	1		UR
	4XE-G6118-14	.SHIM, THRUST(T=1.4MM)	1	1		UR
	4XE-G6118-15	.SHIM, THRUST(T=1.5MM)	1	1		UR
	4XE-G6118-16	.SHIM, THRUST(T=1.6MM)	1	1		UR
	4XE-G6118-17	.SHIM, THRUST(T=1.7MM)	1	1		UR
	4XE-G6118-18	.SHIM, THRUST(T=1.8MM)	1	1		UR
	4XE-G6118-19	.SHIM, THRUST(T=1.9MM)	1	1		UR
	4XE-G6118-20	.SHIM, THRUST(T=2.0MM)	1	1		UR
	4XE-G6118-21	.SHIM, THRUST(T=2.1MM)	1	1		UR
27	4XE-G6117-25	.SHIM, RING GEAR(T=0.25MM)	1	1		UR
	4XE-G6117-30	.SHIM, RING GEAR(T=0.30MM)	1	1		UR
	4XE-G6117-35	.SHIM, RING GEAR(T=0.35MM)	1	1		UR
	4XE-G6117-40	.SHIM, RING GEAR(T=0.40MM)	1	1		UR
	4XE-G6117-45	.SHIM, RING GEAR(T=0.45MM)	1	1		UR
	4XE-G6117-50	.SHIM, RING GEAR(T=0.50MM)	1	1		UR
28	5FU-G6157-10	.SHIM, RING GEAR(T=0.10MM)	1	1		UR
	5FU-G6157-15	.SHIM, RING GEAR(T=0.15MM)	1	1		UR
	5FU-G6157-20	.SHIM, RING GEAR(T=0.20MM)	1	1		UR
	5FU-G6157-30	.SHIM, RING GEAR(T=0.30MM)	1	1		UR
	5FU-G6157-40	.SHIM, RING GEAR(T=0.40MM)	1	1		UR
	5FU-G6157-50	.SHIM, RING GEAR(T=0.50MM)	1	1		UR

FIG. 24 FRONT SUSPENSION & WHEEL



5VH5110-C280

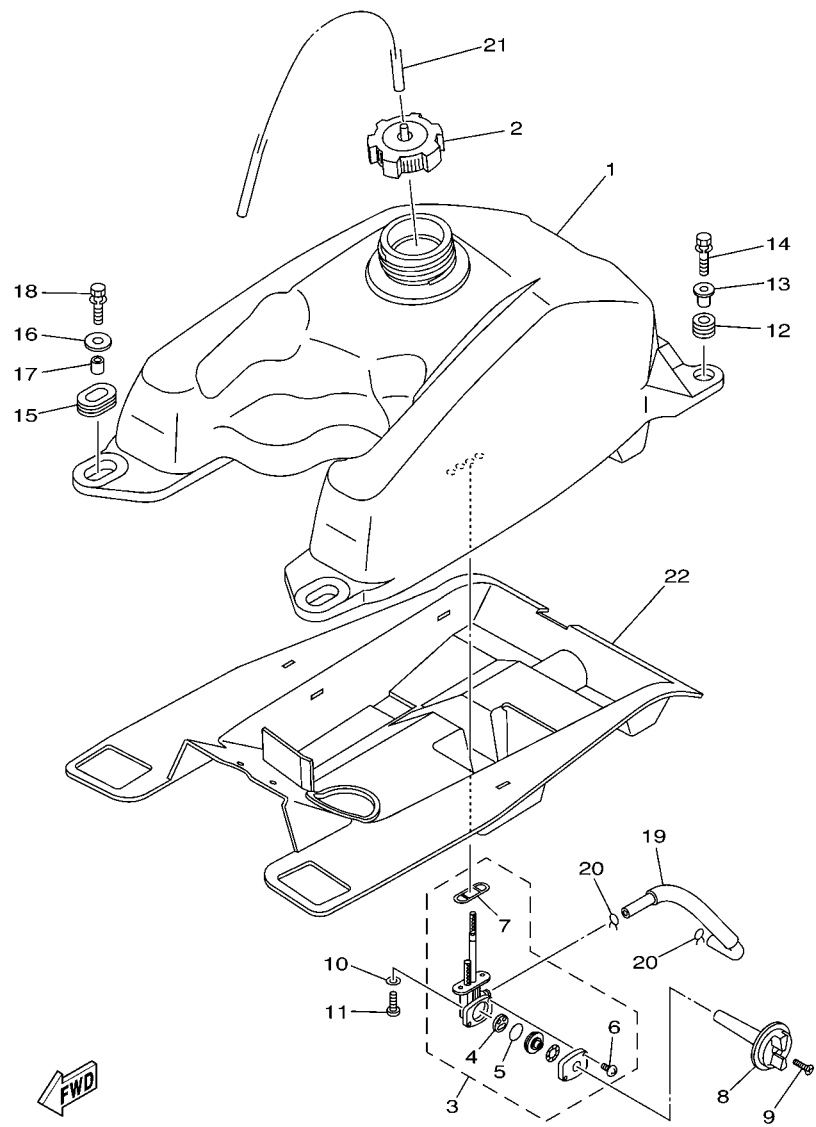
REF. NO.	PART NO.	DESCRIPTION	EUR	OCE	REMARKS
1	5ND-F3540-12	FRONT UPPER ARM COMP. (LEFT)	1	1	
2	37S-23549-00	.BALL JOINT 1	1	1	
3	99009-32400	.CIRCLIP	1	1	
4	5ND-F3550-12	FRONT UPPER ARM COMP. (RIGHT)	1	1	
5	37S-23549-00	.BALL JOINT 1	1	1	
6	99009-32400	.CIRCLIP	1	1	
7	90171-12001	NUT, CASTLE	4	4	
8	91402-25020	PIN, COTTER	4	4	
9	5ND-F357A-01	ARM,FR. LWR. LH.	1	1	
10	5ND-F358A-01	ARM,FR. LWR. RH.	1	1	
11	2HR-23526-00	BUSH	8	8	
12	90105-10267	BOLT, FLANGE	8	8	
13	90185-10012	NUT, SELF-LOCKING	8	8	
14	5UH-F3350-01	SHOCK ABSORBER ASSY	2	2	
15	90185-10012	NUT, SELF-LOCKING	4	4	
16	90105-10841	BOLT, FLANGE	4	4	



FWD
37SD100-J300

FIG. 25 STEERING

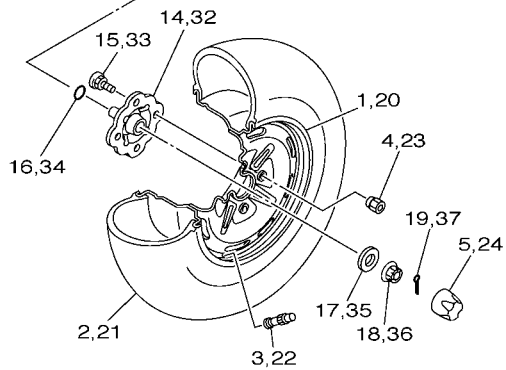
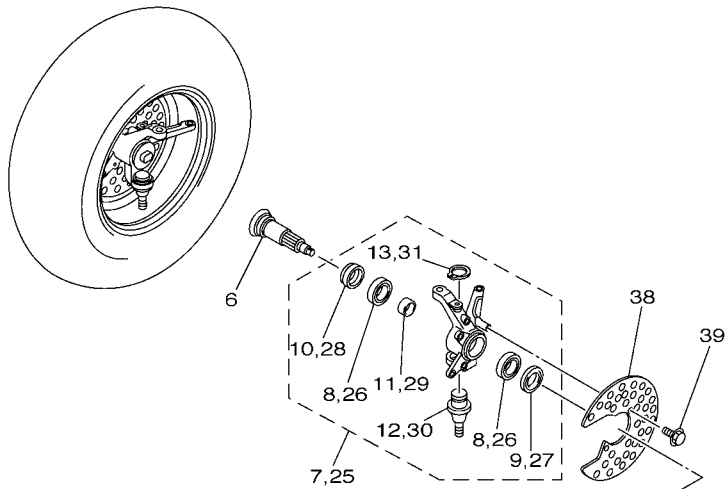
REF. NO.	PART NO.	DESCRIPTION	EUR	QTY	REMARKS
1	5ND-F3813-10	COLUMN, STEERING 2	1	1	
2	5ND-F3816-12	ARM, PITMAN	1	1	
3	8K1-23814-00	HOLDER, HANDLE	2	2	
4	95812-08030	BOLT, FLANGE	4	4	
5	90336-28053	PLUG, TAPER	1	1	
6	37S-F3812-00	PLANE BEARING, STEERING	2	2	
7	93112-31800	OIL SEAL	2	2	
8	5ND-F3868-00	BRACKET, STEERING LOWER	1	1	
9	97022-08060	BOLT	2	2	
10	1UY-23894-01	WASHER, LOCK 1	1	1	
11	90387-090R0	COLLAR	2	2	
12	90201-14021	WASHER, PLATE	1	1	
13	90185-14009	NUT, SELF-LOCKING	1	1	
14	91402-20025	PIN, COTTER	1	1	
15	37S-23831-00	ROD, TIE	2	2	
16	37S-23841-00	JOINT, UNIVERSAL 1	2	2	
17	4S2-23845-00	JOINT, UNIVERSAL 2	2	2	
18	37S-23833-00	NUT 1	2	2	
19	37S-23834-00	NUT 2	2	2	
20	90171-12001	NUT, CASTLE	4	4	
21	91402-25020	PIN, COTTER	4	4	



5UH1100-C280

FIG. 26 FUEL TANK

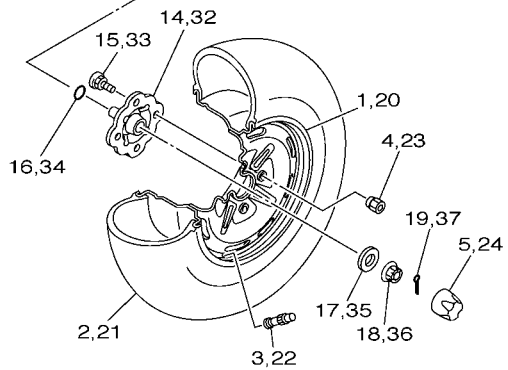
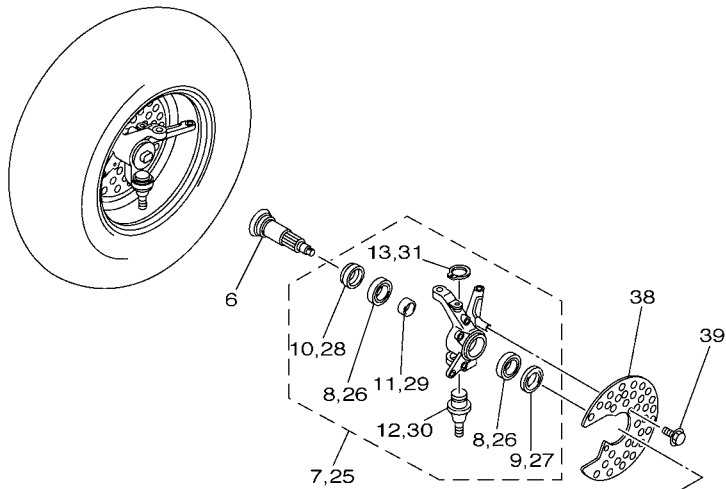
REF. NO.	PART NO.	DESCRIPTION	EUR	OCE			REMARKS
1	5UH-F4110-00	FUEL TANK COMP.	1	1			
2	5KM-24610-00	CAP ASSY	1	1			
3	5KM-24500-01	FUEL COCK ASSY 1	1	1			
4	3AC-24523-00	.VALVE PACKING	1	1			
5	3AJ-24534-01	.SEAL, COCK	1	1			
6	98507-03014	.SCREW, PAN HEAD	2	2			
7	4X8-24512-00	.O-RING	1	1			
8	5GH-24524-00	LEVER, COCK	1	1			
9	98702-04018	SCREW, FLAT HEAD	1	1			
10	90202-05193	WASHER, PLATE	2	2			
11	90149-06108	SCREW	2	2			
12	90480-18290	GROMMET	2	2			
13	90387-066J1	COLLAR	2	2			
14	90119-06883	BOLT, WITH WASHER	2	2			
15	90480-01400	GROMMET	2	2			
16	90201-06090	WASHER, PLATE	2	2			
17	90387-07598	COLLAR	2	2			
18	90119-06883	BOLT, WITH WASHER	2	2			
19	5UH-F4311-00	PIPE, FUEL 1	1	1			
20	90467-100A1	CLIP	2	2			
21	90445-088C5	HOSE (L400)	1	1			
22	5UH-F414H-01	DAMPER, PLATE 1	1	1			



5VH1100-B320

FIG. 28 FRONT WHEEL

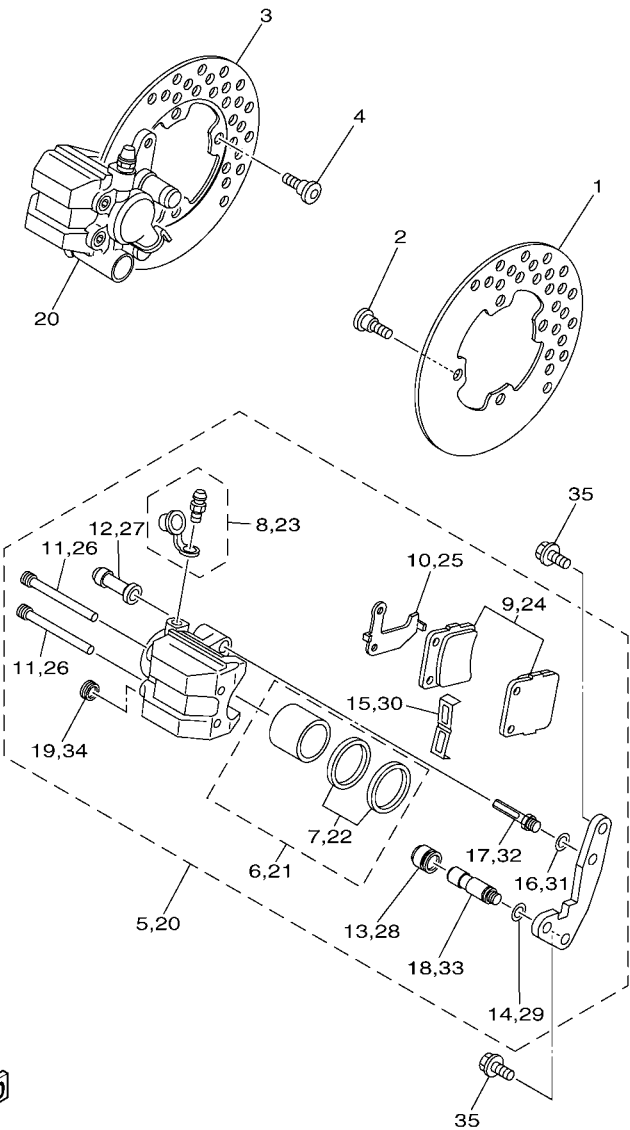
REF. NO.	PART NO.	DESCRIPTION	EUR	OCE	REMARKS
1	5ND-F5180-11	WHEEL COMP.	1	1	
2	94108-12816	TIRE (AT25X8-12 MU13TL)	1		CHENG SHIN
	94108-12803	TIRE (AT25X8-12 C828)		1	CHENG SHIN
3	93900-00813	VALVE, RIM (TR413)	1	1	
4	90179-10022	NUT	4	4	
5	5GT-2512A-00	CAP, WHEEL	1	1	
6	5HA-25181-00	AXLE, WHEEL	2	2	
7	5ND-F3501-10	STEERING KNUCKLE ASSY (LEFT)	1	1	
8	93306-006Y2	.BEARING	2	2	
9	93106-38046	.OIL SEAL	1	1	
10	93106-38047	.OIL SEAL	1	1	
11	90560-30325	.SPACER	1	1	
12	37S-23549-00	.BALL JOINT 1	1	1	
13	99009-32400	.CIRCLIP	1	1	
14	5ND-F5111-21	HUB, FRONT	1	1	
15	90114-10014	BOLT, SERRATION	4	4	
16	93210-27666	O-RING	1	1	
17	90201-16804	WASHER, PLATE	1	1	
18	90171-16002	NUT, CASTLE	1	1	
19	91402-30030	PIN, COTTER	1	1	
20	5ND-F5180-11	WHEEL COMP.	1	1	
21	94108-12816	TIRE (AT25X8-12 MU13TL)	1		CHENG SHIN
	94108-12803	TIRE (AT25X8-12 C828)		1	CHENG SHIN
22	93900-00813	VALVE, RIM (TR413)	1	1	
23	90179-10022	NUT	4	4	
24	5GT-2512A-00	CAP, WHEEL	1	1	
25	5ND-F3502-10	STEERING KNUCKLE ASSY (RIGHT)	1	1	



5VH1100-B320

FIG. 28 FRONT WHEEL

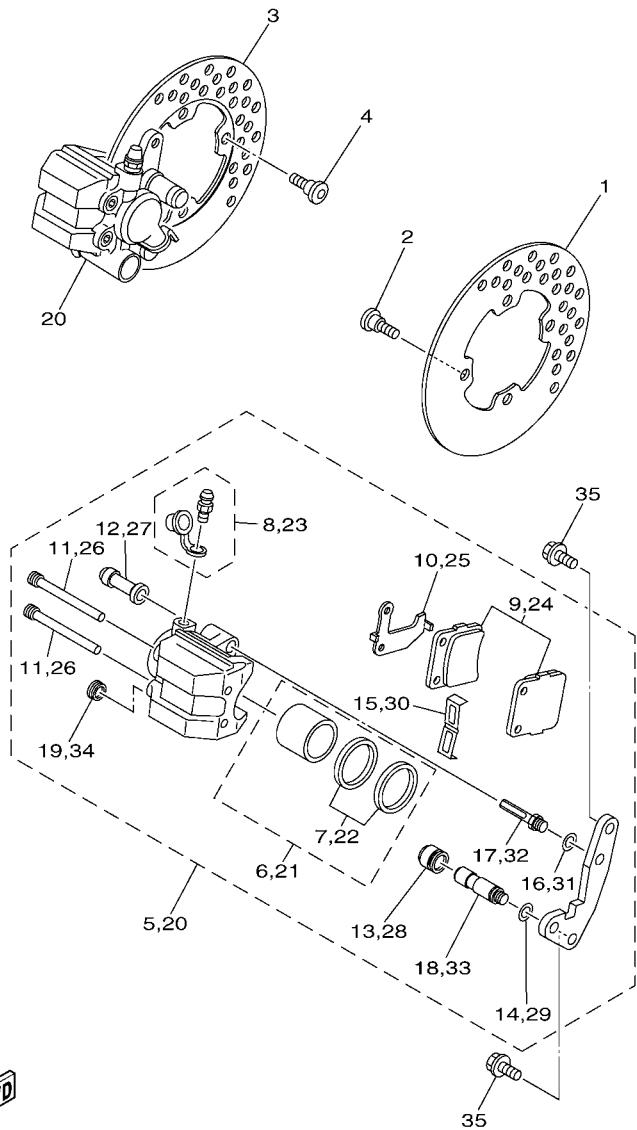
REF. NO.	PART NO.	DESCRIPTION	EUR	OCÉ			REMARKS
26	93306-006Y2	.BEARING	2	2			
27	93106-38046	.OIL SEAL	1	1			
28	93106-38047	.OIL SEAL	1	1			
29	90560-30325	.SPACER	1	1			
30	37S-23549-00	.BALL JOINT 1	1	1			
31	99009-32400	.CIRCLIP	1	1			
32	5ND-F5111-21	HUB, FRONT	1	1			
33	90114-10014	BOLT, SERRATION	4	4			
34	93210-27666	O-RING	1	1			
35	90201-16804	WASHER, PLATE	1	1			
36	90171-16002	NUT, CASTLE	1	1			
37	91402-30030	PIN, COTTER	1	1			
38	5ND-F514A-00	RING, WHEEL 1	2	2			
39	95822-06012	BOLT, FLANGE	4	4			



1CT2100-K330

FIG. 29 FRONT BRAKE CALIPER

REF. NO.	PART NO.	DESCRIPTION	EUR	OCF		REMARKS
1	5ND-F582T-00	DISC, BRAKE (LEFT)	1	1		
2	90109-08082	BOLT	4	4		
3	5ND-F582T-00	DISC, BRAKE (LEFT)	1	1		
4	90109-08082	BOLT	4	4		
5	3GD-2580T-01	CALIPER ASSY (LEFT)	1	1		
6	3GD-W0057-00	.PISTON ASSY, CALIPER	1	1		
7	3GD-W0047-00	..CALIPER SEAL KIT	1	1		
8	1UY-W0048-50	.BLEED SCREW KIT	1	1		
9	3GD-W0045-01	.BRAKE PAD KIT	1	1		
10	3GD-25827-00	.SHIM, CALIPER	1	1		
11	3GD-25933-00	.PIN, PAD	2	2		
12	1UY-25937-51	.BOOT 2	1	1		
13	1UY-25917-51	.BOOT, CALIPER	1	1		
14	1UY-25934-51	.SPRING, PAD	1	1		
15	1UY-25919-51	.SUPPORT, PAD	1	1		
16	1UY-25938-51	.WASHER, SPRING	1	1		
17	1UY-25926-51	.BOLT	1	1		
18	3GD-25914-00	.PIN, SLIDE	1	1		
19	3GD-25916-00	.PLUG	1	1		
20	3GD-2580U-01	CALIPER ASSY (RIGHT)	1	1		
21	3GD-W0057-00	.PISTON ASSY, CALIPER	1	1		
22	3GD-W0047-00	..CALIPER SEAL KIT	1	1		
23	1UY-W0048-50	.BLEED SCREW KIT	1	1		
24	3GD-W0045-01	.BRAKE PAD KIT	1	1		
25	3GD-25828-00	.SHIM, CALIPER	1	1		
26	3GD-25933-00	.PIN, PAD	2	2		
27	1UY-25937-51	.BOOT 2	1	1		



1CT2100-K330

FIG. 29 FRONT BRAKE CALIPER

REF. NO.	PART NO.	DESCRIPTION	EUR	OCE	REMARKS
28	1UY-25917-51	.BOOT, CALIPER	1	1	
29	1UY-25934-51	.SPRING, PAD	1	1	
30	1UY-25919-51	.SUPPORT, PAD	1	1	
31	1UY-25938-51	.WASHER, SPRING	1	1	
32	1UY-25926-51	.BOLT	1	1	
33	3GD-25914-00	.PIN, SLIDE	1	1	
34	3GD-25916-00	.PLUG	1	1	
35	90105-08161	BOLT, FLANGE	4	4	

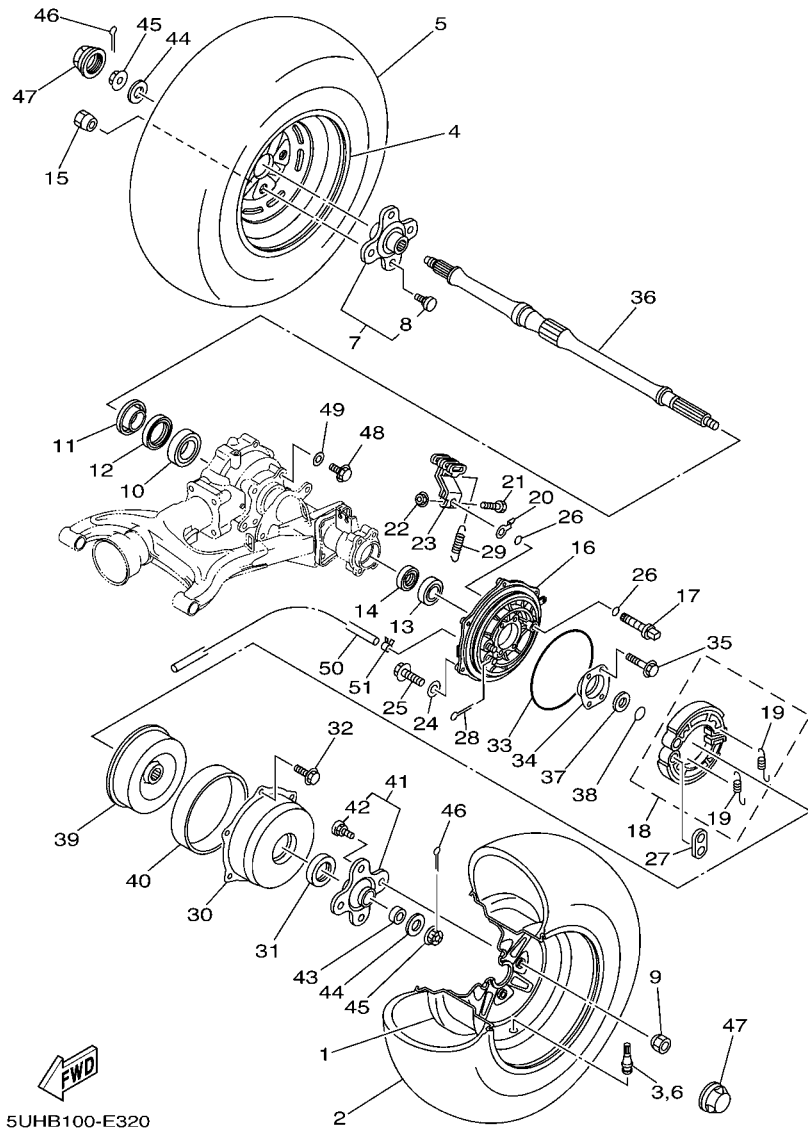


FIG. 30 REAR WHEEL

REF. NO.	PART NO.	DESCRIPTION	EUR	OCE	REMARKS
1	5ND-F5390-11	REAR WHEEL COMP.	1	1	
2	94110-12813	TIRE (AT25X10-12 MU14TL)	1		CHENG SHIN
	94110-12801	TIRE (AT25X10-12 C828)		1	CHENG SHIN
3	93900-00813	VALVE, RIM (TR413)	1	1	
4	5ND-F5390-11	REAR WHEEL COMP.	1	1	
5	94110-12813	TIRE (AT25X10-12 MU14TL)	1		CHENG SHIN
	94110-12801	TIRE (AT25X10-12 C828)		1	CHENG SHIN
6	93900-00813	VALVE, RIM (TR413)	1	1	
7	5ND-F5383-11	COLLAR, WHEEL	1	1	
8	1P0-F5411-00	.BOLT	4	4	
9	90179-10022	NUT	4	4	
10	93306-008Y0	BEARING	1	1	
11	4SH-25367-01	COVER, HUB DUST	1	1	
12	93106-47040	OIL SEAL	1	1	
13	93306-278Y0	BEARING	1	1	
14	93101-35097	OIL SEAL	1	1	
15	90179-10022	NUT	4	4	
16	5VH-F5321-01	PLATE, BRAKE SHOE	1	1	
17	5VH-F5351-01	CAMSHAFT	1	1	
18	5VH-WF536-00	BRAKE SHOE SET	1	1	
19	5VH-F5333-00	.SPRING, RETURN	2	2	
20	5VH-F533A-01	PLATE, INDICATOR	1	1	
21	90101-06824	BOLT	1	1	
22	9560L-06200	NUT, SELF-LOCKING	1	1	
23	5VH-F5355-01	LEVER, CAMSHAFT	1	1	
24	5VH-F5898-00	GASKET	1	1	
25	5VH-F5818-00	BOLT, CALIPER	1	1	

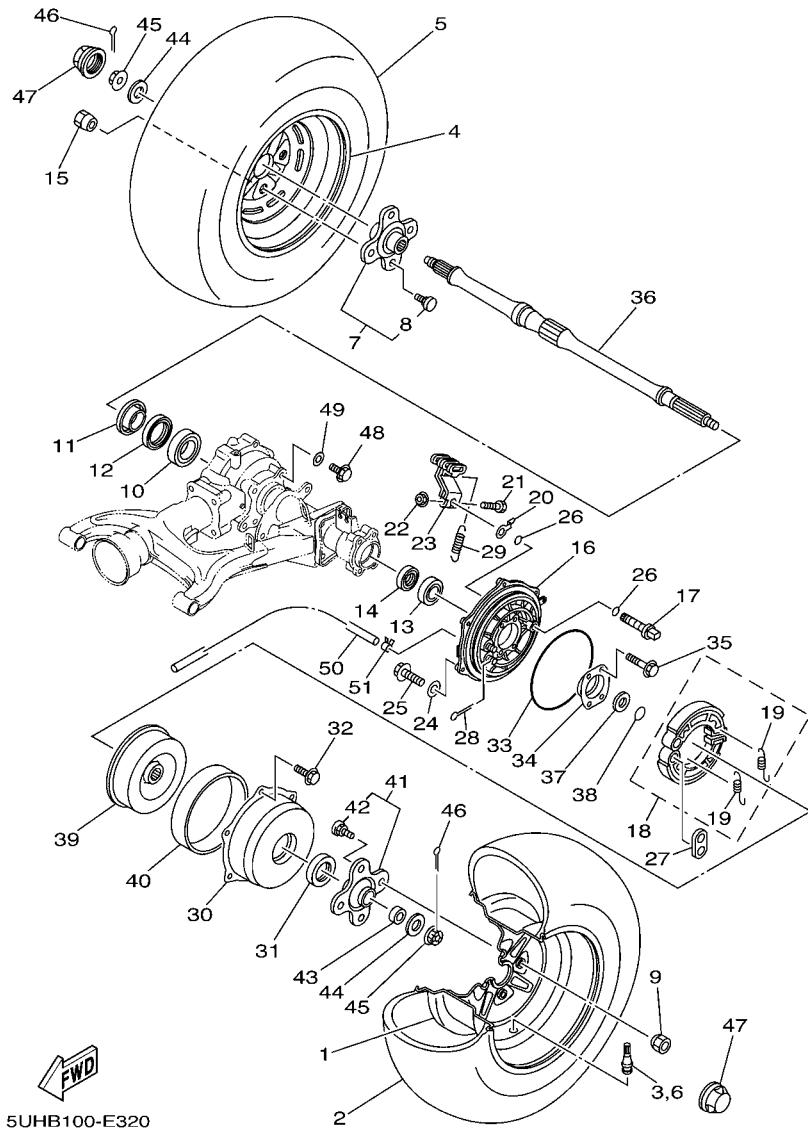


FIG. 30 REAR WHEEL

REF. NO.	PART NO.	DESCRIPTION	EUR	QCE		REMARKS
26	5VH-F5359-00	SEAL, CAMSHAFT	2	2		
27	5VH-F539F-01	PLATE 1	1	1		
28	91402-25020	PIN, COTTER	2	2		
29	90506-16482	SPRING, TENSION	1	1		
30	5FU-F5327-01	COVER, PLATE	1	1		
31	5FU-F5319-10	SEAL, HUB DUST	1	1		
32	95822-06012	BOLT, FLANGE	6	6		
33	5FU-F537Y-00	SEAL, DUST	1	1		
34	4XE-G6513-00	RETAINER	1	1		
35	90105-088A4	BOLT, FLANGE	4	4		
36	5TE-F5381-01	AXLE, WHEEL	1	1		
37	90387-284T0	COLLAR	1	1		
38	93210-26606	O-RING	1	1		
39	5FU-F531E-10	DRUM, BRAKE	1	1		
40	5FU-F5336-00	RING 2	1	1		
41	5FU-F5377-11	COLLAR, WHEEL	1	1		
42	1P0-F5411-00	.BOLT	4	4		
43	5FU-F5384-00	WASHER, WHEEL	1	1		
44	90201-16804	WASHER, PLATE	2	2		
45	90171-16002	NUT, CASTLE	2	2		
46	91402-30030	PIN, COTTER	2	2		
47	5GT-2512A-00	CAP, WHEEL	2	2		
48	90105-10287	BOLT, FLANGE	4	4		
49	90201-10035	WASHER, PLATE	4	4		
50	90445-07807	HOSE (L1150)	1	1		
51	90467-070A0	CLIP	1	1		

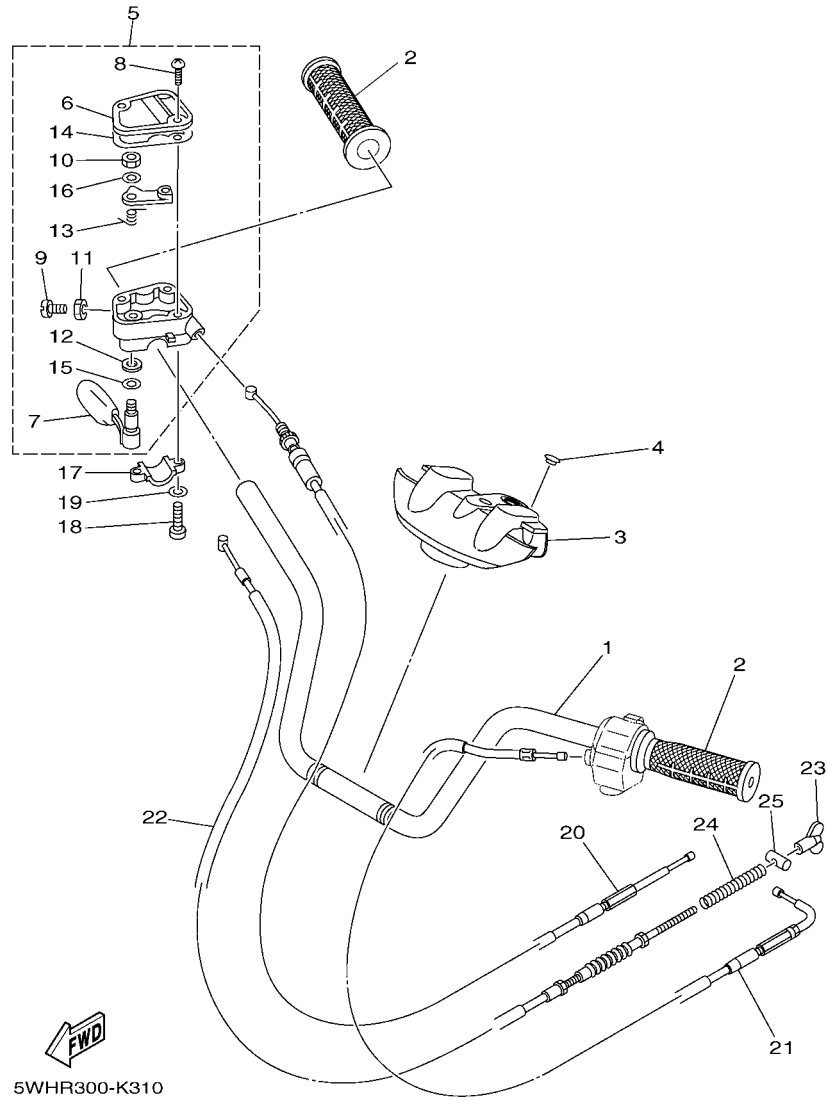


FIG. 31 STEERING HANDLE & CABLE

REF. NO.	PART NO.	DESCRIPTION	EUR	QTY	REMARKS
1	5FU-F6111-10	HANDLEBAR	1	1	
2	5FU-F6241-10	GRIP	2	2	
3	5ND-F6124-01	PROTECTOR, HANDLEBAR	1	1	
4	90338-14827	PLUG	1	1	
5	4KB-26250-11	THROTTLE LEVER ASSY	1	1	
6	4KB-2628F-10	.CAP, GEAR	1	1	
7	1NV-2625G-01	.LEVER, THROTTLE	1	1	
8	90149-04278	.SCREW	3	3	
9	98507-05020	.SCREW, PAN HEAD	1	1	
10	95602-05100	.NUT, U	1	1	
11	95307-05700	.NUT	1	1	
12	93104-09025	.OIL SEAL	1	1	
13	1NV-26304-00	.SPRING	1	1	
14	4KB-2628G-00	.GASKET	1	1	
15	1NV-26129-00	.WASHER	1	1	
16	1NV-26398-00	.WASHER	1	1	
17	4V4-82913-00	HOLDER, LEVER LOWER 1	1	1	
18	98502-05020	SCREW, PAN HEAD	2	2	
19	92902-05600	WASHER, PLATE	2	2	
20	5GH-26311-10	CABLE, THROTTLE 1	1	1	
21	5VH-F6331-00	CABLE, STARTER 1	1	1	
22	5TE-26341-00	WIRE, BRAKE 1	1	1	
23	20E-26343-00	NUT, ADJUSTING	1	1	
24	90501-10782	SPRING, COMPRESSION	1	1	
25	90249-12008	PIN	1	1	

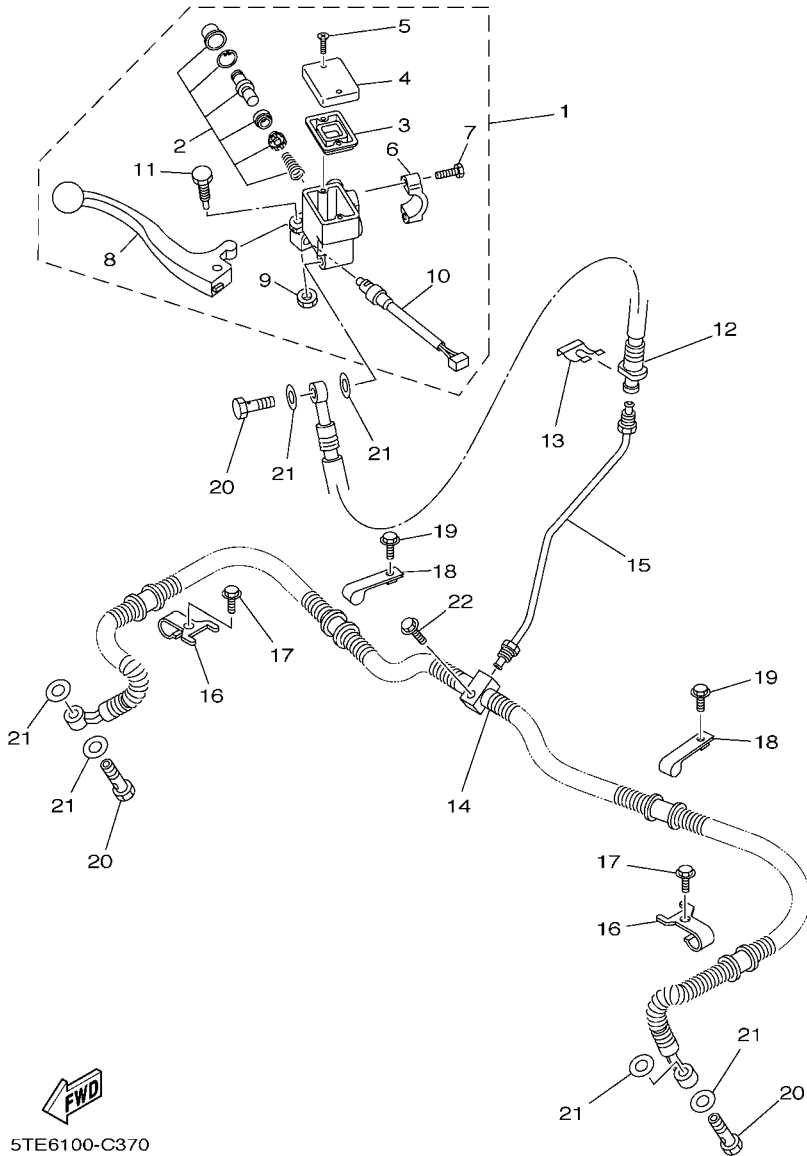


FIG. 32 FRONT MASTER CYLINDER

REF. NO.	PART NO.	DESCRIPTION	EUR	OCE	REMARKS
1	5KM-2583T-01	MASTER CYLINDER ASSY	1	1	
2	8CR-W0041-00	.CYLINDER KIT, MASTER	1	1	
3	4L0-25854-00	.DIAPHRAGM, RESERVOIR	1	1	
4	5JX-25852-01	.CAP, RESERVOIR	1	1	
5	98706-04012	.SCREW, FLAT HEAD	2	2	
6	5GH-25867-00	.BRACKET, MASTER CYLINDER	1	1	
7	5EB-26332-00	.BOLT	2	2	
8	5KM-83922-00	.LEVER 2	1	1	
9	95606-06100	.NUT, U	1	1	
10	5LP-83980-00	.FRONT STOP SWITCH ASSY	1	1	
11	1FK-2589F-00	.BOLT, LEVER	1	1	
12	5ND-F5872-01	HOSE, BRAKE 1	1	1	
13	2GU-25866-00	CIRCLIP	1	1	
14	5ND-F5873-01	HOSE, BRAKE 2	1	1	
15	5ND-F5871-00	PIPE, BRAKE	1	1	
16	5ND-F5875-01	HOLDER, BRAKE HOSE 1	2	2	
17	95822-06012	BOLT, FLANGE	2	2	
18	5ND-F3192-01	BAND	2	2	
19	95822-06012	BOLT, FLANGE	2	2	
20	90401-10015	BOLT, UNION	3	3	
21	90201-10118	WASHER, PLATE	6	6	
22	95802-06025	BOLT, FLANGE	1	1	

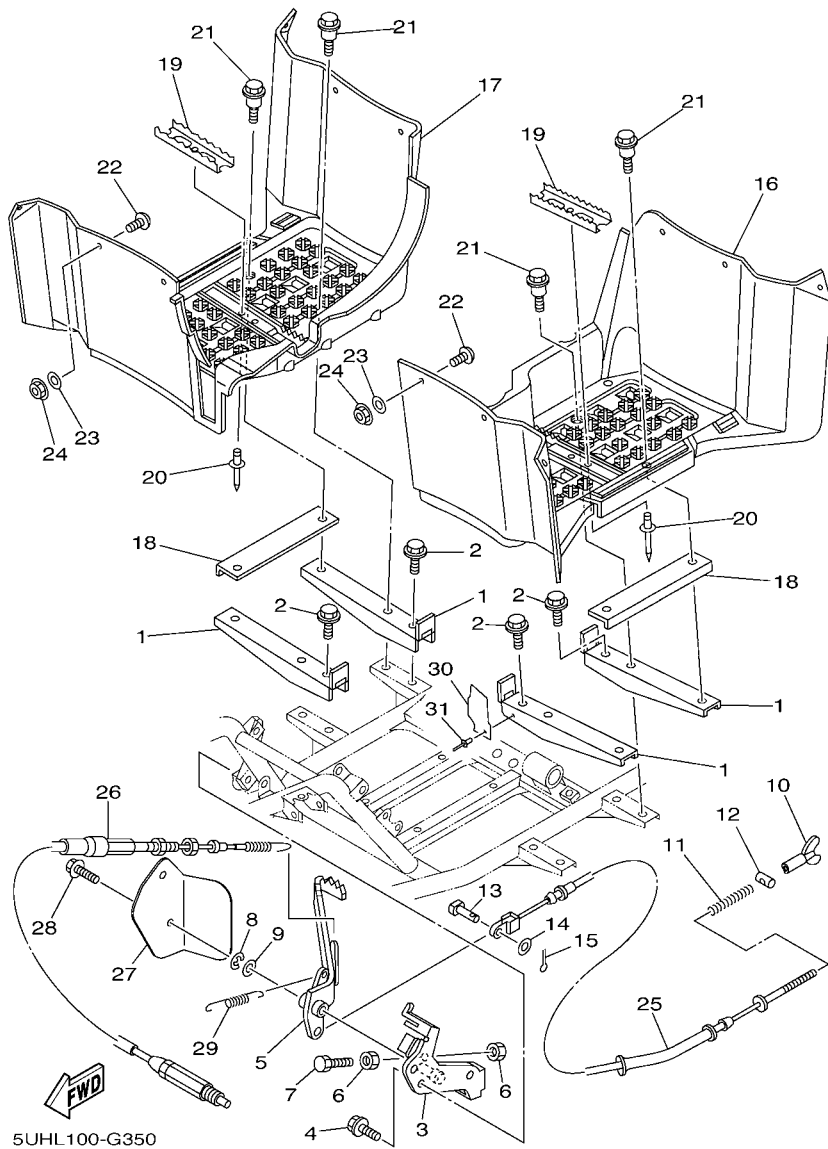


FIG. 33 STAND & FOOTREST

REF. NO.	PART NO.	DESCRIPTION	EUR	OCE	REMARKS
1	5ND-F7471-01	BAR, FOOTREST 1	4	4	
2	95812-08012	BOLT, FLANGE	4	4	
3	5TE-F7412-11	BRACKET, FOOTREST 1	1	1	
4	95812-08012	BOLT, FLANGE	3	3	
5	5TE-F7211-00	PEDAL, BRAKE	1	1	
6	95312-06700	NUT	2	2	
7	97012-06020	BOLT	1	1	
8	93430-10015	CIRCLIP	1	1	
9	90201-14023	WASHER, PLATE	1	1	
10	20E-26343-00	NUT, ADJUSTING	1	1	
11	90501-10782	SPRING, COMPRESSION	1	1	
12	90249-12008	PIN	1	1	
13	90240-08005	PIN, CLEVIS	1	1	
14	90201-08066	WASHER, PLATE	1	1	
15	91402-20020	PIN, COTTER	1	1	
16	5ND-F7453-01	COVER 1	1	1	
17	5ND-F7463-01	COVER 2	1	1	
18	5ND-F7445-00	PLATE 1	2	2	
19	5UH-F741A-10	ARM 1	2	2	
20	90267-489U9	RIVET, BLIND	2	2	
21	90109-06262	BOLT	8	8	
22	90149-05299	SCREW	12	12	
23	90201-05042	WASHER, PLATE	12	12	
24	95702-05300	NUT, NYLON	12	12	
25	5TE-26361-00	CABLE, BRAKE	1	1	
26	5GH-2637F-10	CABLE, CONTROL 2	1	1	
27	5UH-F7491-01	PROTECTOR	1	1	

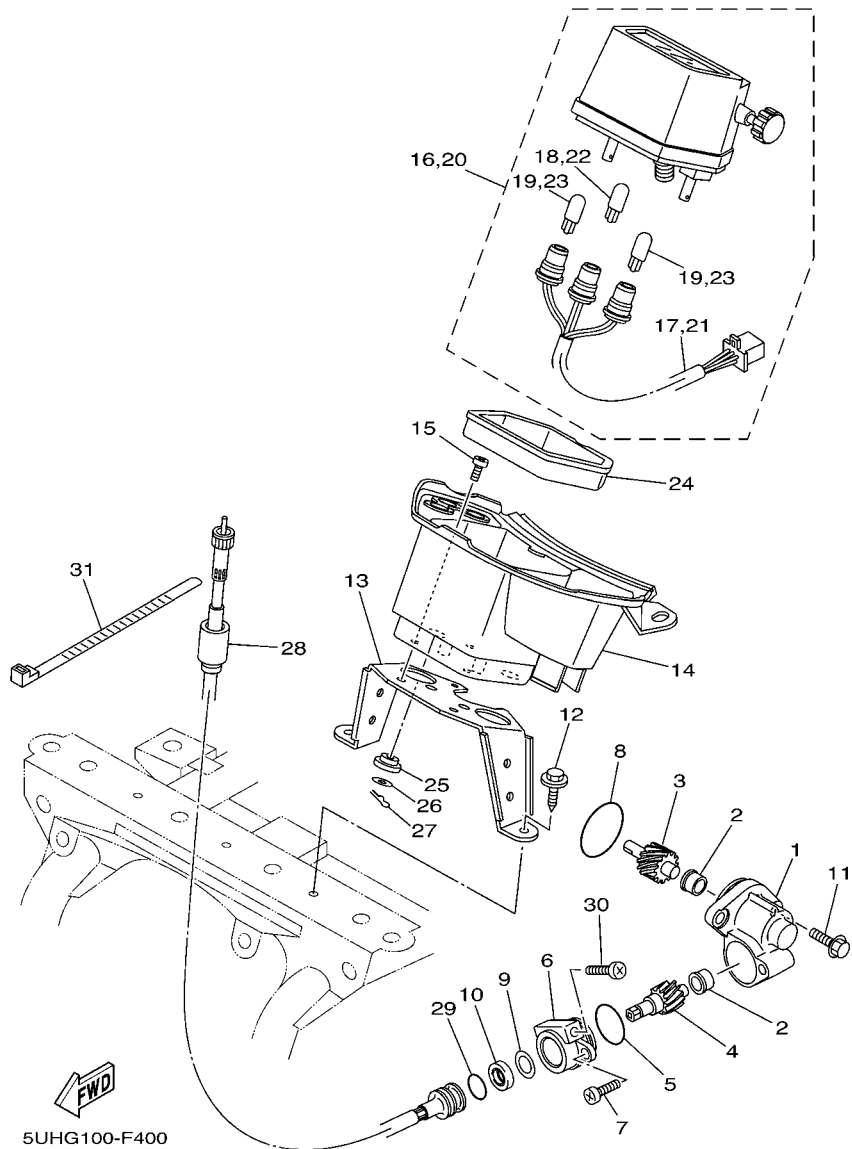
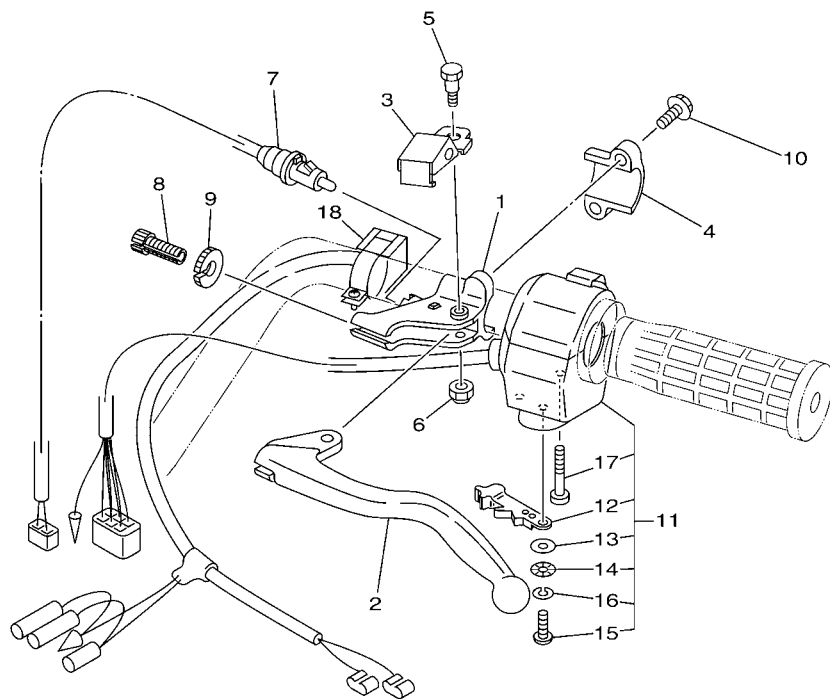


FIG. 37 METER

REF. NO.	PART NO.	DESCRIPTION	EUR	QTY	REMARKS
1	4WV-17811-00	HOUSING, TACHOMETER GEAR	1	1	
2	90381-08002	BUSH, SOLID	2	2	
3	4WV-17831-00	GEAR, DRIVE	1	1	
4	4WV-17841-00	GEAR, DRIVEN	1	1	
5	93210-24253	O-RING	1	1	
6	59V-17811-00	HOUSING, TACHOMETER GEAR	1	1	
7	98502-06016	SCREW, PAN HEAD	1	1	
8	93210-32172	O-RING	1	1	
9	90201-12163	WASHER, PLATE	1	1	
10	93102-08307	OIL SEAL	1	1	
11	90105-06053	BOLT, FLANGE	2	2	
12	90119-06157	BOLT, WITH WASHER	2	2	
13	5UH-F834L-00	BRKT., METER	1	1	
14	5UH-F837L-11	PANEL, CONSOLE 1	1	1	
15	98502-05010	SCREW, PAN HEAD	3	3	
16	4SH-83570-10	SPEEDOMETER ASSY	1	1	UR KM/H
17	4SH-83536-10	.SOCKET, METER	1	1	
18	42X-83517-00	.BULB (12V-3W)	1	1	
19	2GV-83517-00	.BULB (12V-1.7W T6.5)	2	2	
20	4SH-83570-00	SPEEDOMETER ASSY	1	1	UR MILE/H
21	4SH-83536-00	.SOCKET, METER	1	1	
22	4R0-83517-00	.BULB (12V-3.4W T10)	1	1	
23	3GM-83517-00	.BULB (12V-1.7W)	2	2	
24	5UH-H252R-00	DAMPER	1	1	
25	1M1-83526-00	DAMPER 2	2	2	
26	4X8-83524-00	WASHER, SPECIAL	2	2	
27	437-83525-00	CLIP	2	2	

FIG. 40 HANDLE SWITCH & LEVER



REF. NO.	PART NO.	DESCRIPTION	EUR	OCE	REMARKS
1	1YW-82911-02	HOLDER, LEVER 1	1	1	
2	2HT-83912-00	LEVER 1	1	1	
3	1YW-83965-00	LEVER, LOCK	1	1	
4	2XJ-82913-00	HOLDER, LEVER LOWER 1	1	1	
5	90109-06576	BOLT	1	1	
6	95607-06100	NUT, U	1	1	
7	3FA-83980-03	FRONT STOP SWITCH ASSY	1	1	
8	90123-08046	BOLT	1	1	
9	90179-08148	NUT	1	1	
10	95027-06020	BOLT, FLANGE	2	2	
11	5LP-83973-01	SWITCH, HANDLE 3	1	1	
12	5GH-83941-00	.LEVER, STARTER	1	1	
13	1UY-83909-00	.WASHER, SPECIAL	1	1	
14	3L4-83943-00	.WASHER, STARTER	1	1	
15	98517-05012	.SCREW, PAN HEAD	1	1	
16	92907-05100	.WASHER, SPRING	1	1	
17	98507-05030	.SCREW, PAN HEAD	2	2	
18	4GB-83976-00	SWITCH, HANDLE 1	1	1	


5WHM300-J410

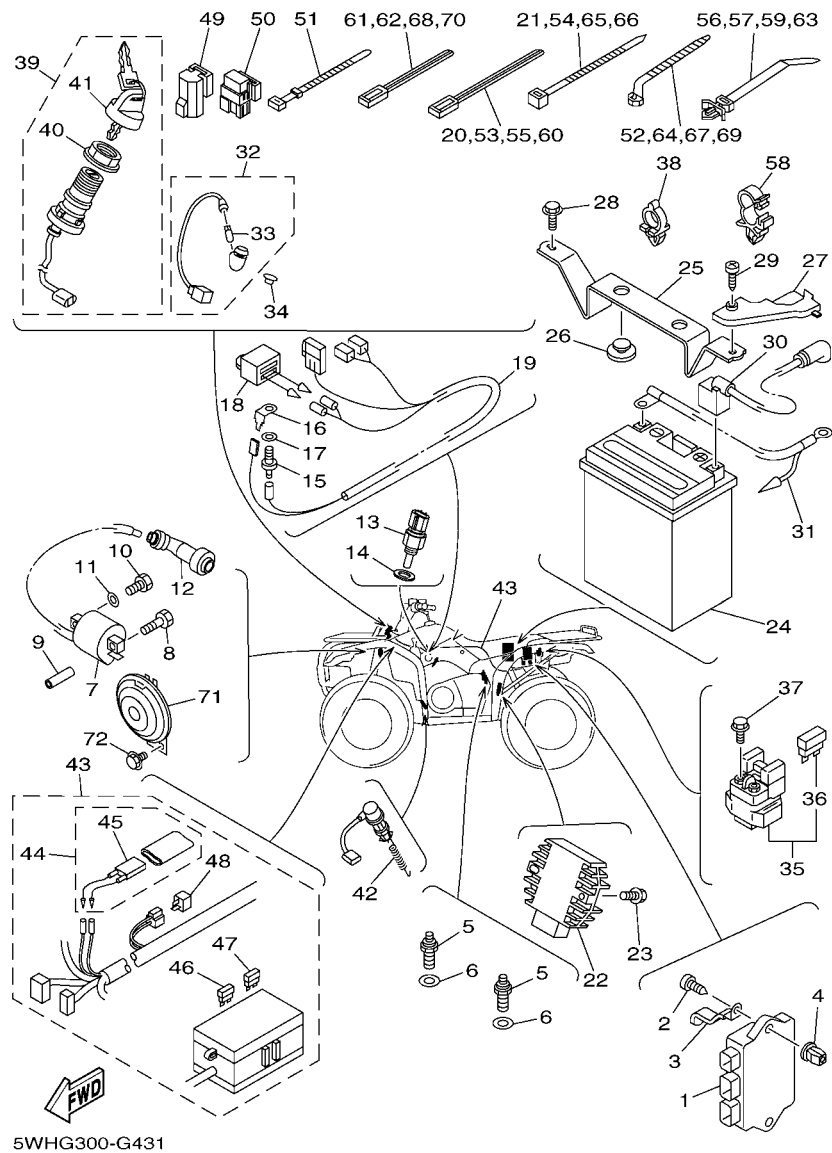


FIG. 41 ELECTRICAL 1

REF. NO.	PART NO.	DESCRIPTION	EUR	QTY	REMARKS
1	5UH-85540-00	C.D.I. UNIT ASSY	1	1	
2	97702-60420	SCREW, TAPPING	1	1	
3	90462-06016	CLAMP	1	1	
4	90338-08226	PLUG	1	1	
5	3GB-82540-01	NEUTRAL SWITCH ASSY	2	2	
6	90430-10148	GASKET	2	2	
7	5KM-82310-00	IGNITION COIL ASSY	1	1	
8	90109-06865	BOLT	1	1	
9	5UH-H1318-00	SPACER	1	1	
10	97002-06020	BOLT	1	1	
11	92902-06600	WASHER, PLATE	1	1	
12	1UY-82370-20	PLUG CAP ASSY	1	1	
13	4GB-83591-10	THERMO UNIT	1	1	
14	90201-12172	WASHER, PLATE	1	1	
15	5FU-83790-00	HEATER ASSY (15W)	1	1	AP
16	5FU-82103-00	TERMINAL 1	1	1	AP
17	90201-08016	WASHER, PLATE	1	1	AP
18	5FU-82560-20	THERMO SWITCH ASSY	1	1	AP
19	5TE-82509-00	WIRE, SUB LEAD	1	1	AP
20	90464-40825	CLAMP	1	1	AP
21	90464-31827	CLAMP	1	1	AP 122X4.80
22	5GT-81960-00	RECTIFIER & REGULATOR ASSY	1	1	
23	95802-06020	BOLT, FLANGE	2	2	
24	5TE-H2100-00	BATTERY ASSY(YUASA YTX14AH)	1	1	
25	5TE-H2128-01	BRACKET, BATTERY	1	1	
26	371-82121-00	PAD, BATTERY	2	2	
27	5ND-H2119-00	COVER, LEAD WIRE	1	1	

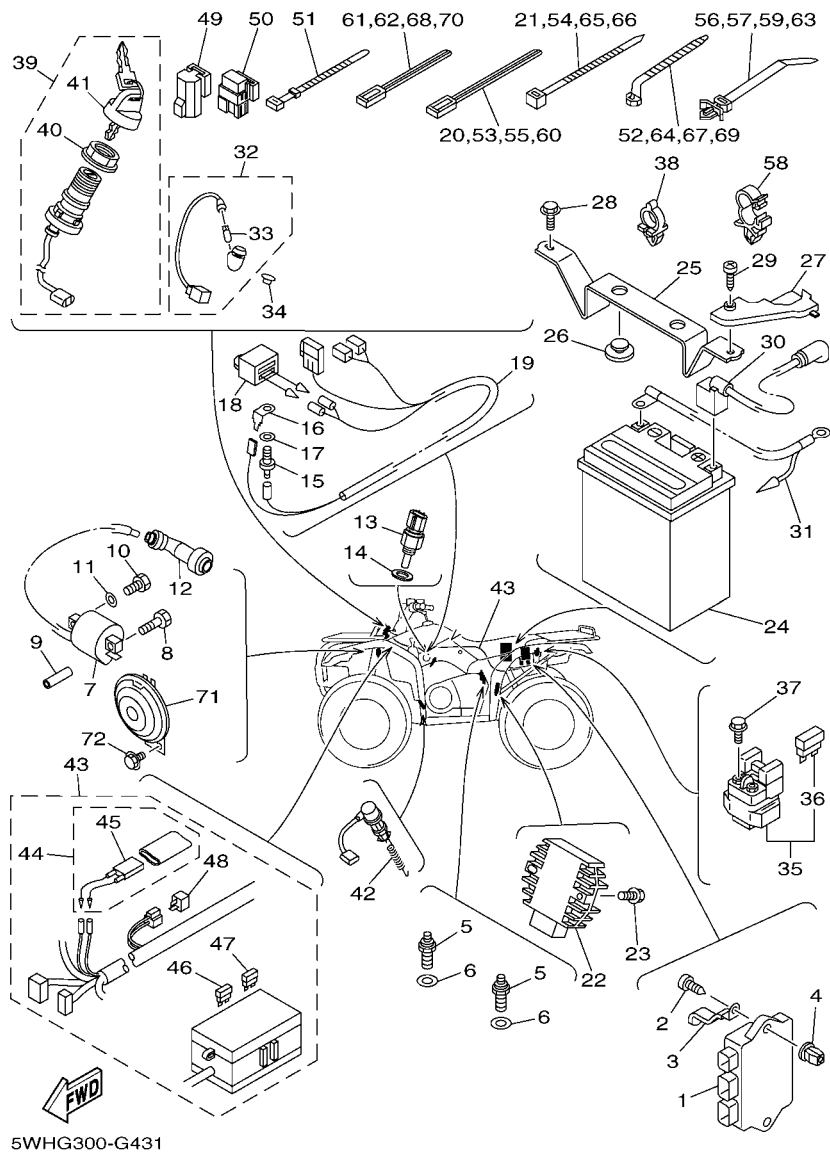
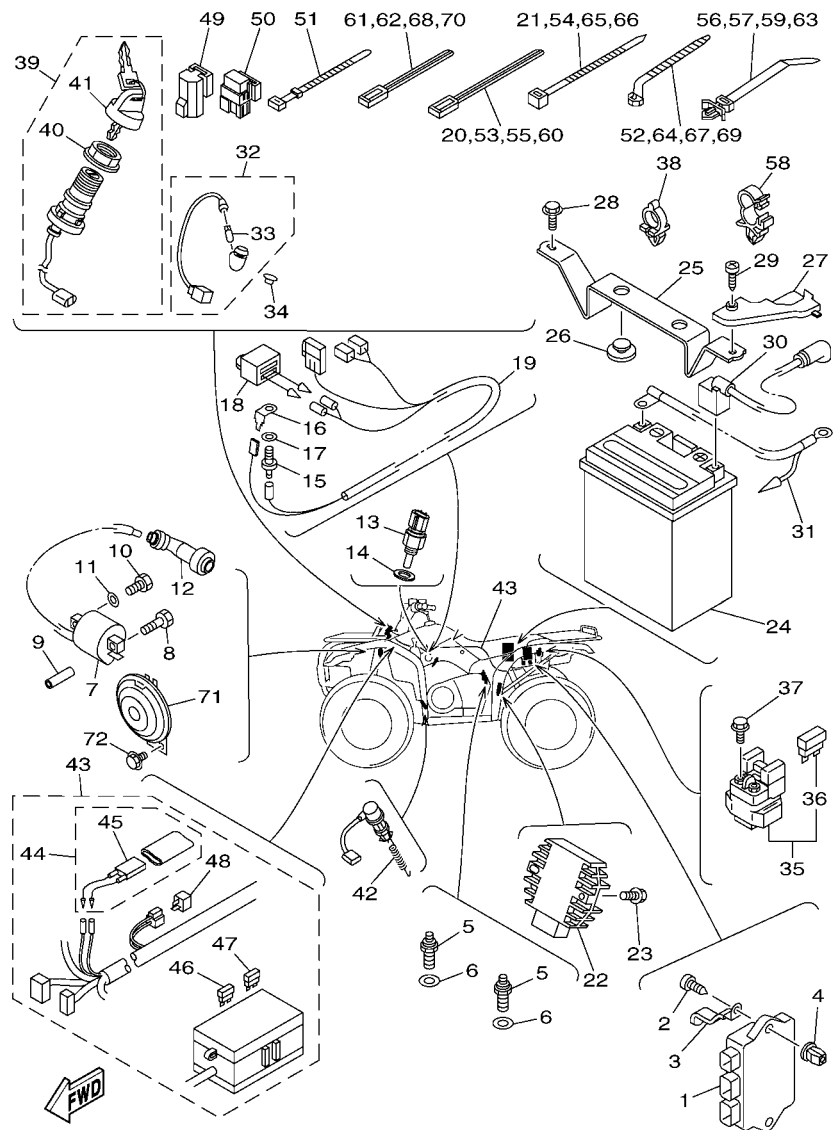


FIG. 41 ELECTRICAL 1

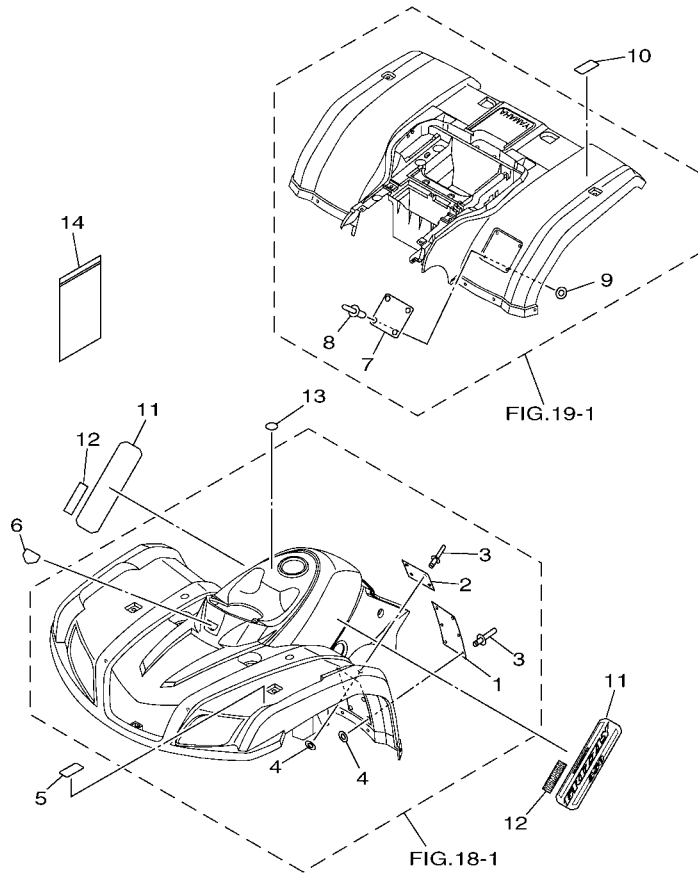
REF. NO.	PART NO.	DESCRIPTION	EUR	OCE	REMARKS
28	95802-06020	BOLT, FLANGE	2	2	
29	97702-60016	SCREW, TAPPING	1	1	
30	5TE-H2115-00	WIRE, PLUS LEAD	1	1	
31	5UH-H2116-00	WIRE, MINUS LEAD	1	1	
32	4KB-83530-31	PILOT LIGHT ASSY	1	1	RED (OIL)
33	5GH-83516-00	.BULB (14V-1.7W)	1	1	
34	90338-14827	PLUG	2	2	
35	4SV-81940-12	STARTER RELAY ASSY	1	1	
36	1AE-82151-00	.FUSE (30A-BL)	2	2	
37	95022-06008	BOLT, FLANGE	2	2	
38	90464-10833	CLAMP	2	2	
39	5KM-82510-00	MAIN SWITCH ASSY	1	1	
40	3HN-82569-00	.NUT, MAIN SWITCH	1	1	
41	3HN-82579-00	.CAP, KEY	1	1	
42	4KB-82530-10	STOP SWITCH ASSY	1	1	
43	5WH-82590-40	WIRE HARNESS ASSY	1	1	
44	3D5-82180-00	.CIRCUIT BREAKER ASSY	1	1	
45	3D5-82560-00	.THERMO SWITCH ASSY	1	1	
46	5JJ-82151-10	.FUSE (15A-BL)	3	3	
47	5JJ-82151-30	.FUSE (10A-BL)	3	3	
48	3WP-81980-00	.DIODE ASSY	1	1	
49	29U-81950-93	RELAY ASSY	1	1	213X7.60
50	5DM-81950-00	RELAY ASSY (G8HN-1C4T-DJ-Y52)	1	1	d: 12mm
51	90464-51800	CLAMP	2	2	
52	90464-12830	CLAMP	1	1	
53	90464-40825	CLAMP	1	1	
54	90464-31827	CLAMP	4	4	122X4.80



5WHG300-G431

FIG. 41 ELECTRICAL 1

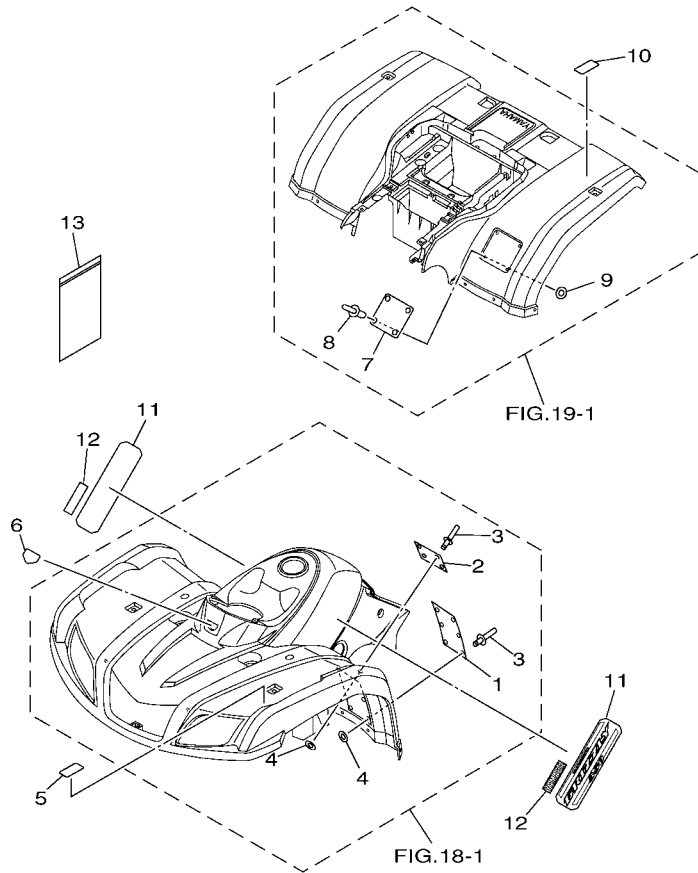
REF. NO.	PART NO.	DESCRIPTION	EUR	OCE	REMARKS
55	90464-40825	CLAMP	4	4	
56	90464-25800	CLAMP	2	2	132X4.80
57	90464-25800	CLAMP	3	3	132X4.80
58	90464-16006	CLAMP	1	1	
59	90464-25800	CLAMP	1	1	132X4.80
60	90464-40825	CLAMP	1	1	
61	90464-48800	CLAMP	2	2	
62	90464-48800	CLAMP	1	1	
63	90464-25800	CLAMP	2	2	132X4.80
64	90464-12830	CLAMP	1	1	d: 12mm
65	90464-31827	CLAMP	1	1	122X4.80
66	90464-31827	CLAMP	2	2	122X4.80
67	90464-12830	CLAMP	1	1	d: 12mm
68	90464-48800	CLAMP	3	3	
69	90464-12830	CLAMP	1	1	d: 12mm
70	90464-48800	CLAMP	1	1	
71	4WV-83371-00	HORN	1	1	
72	95812-06012	BOLT, FLANGE	1	1	




5WHR300-K430

FIG. 43 EMBLEM & LABEL 1

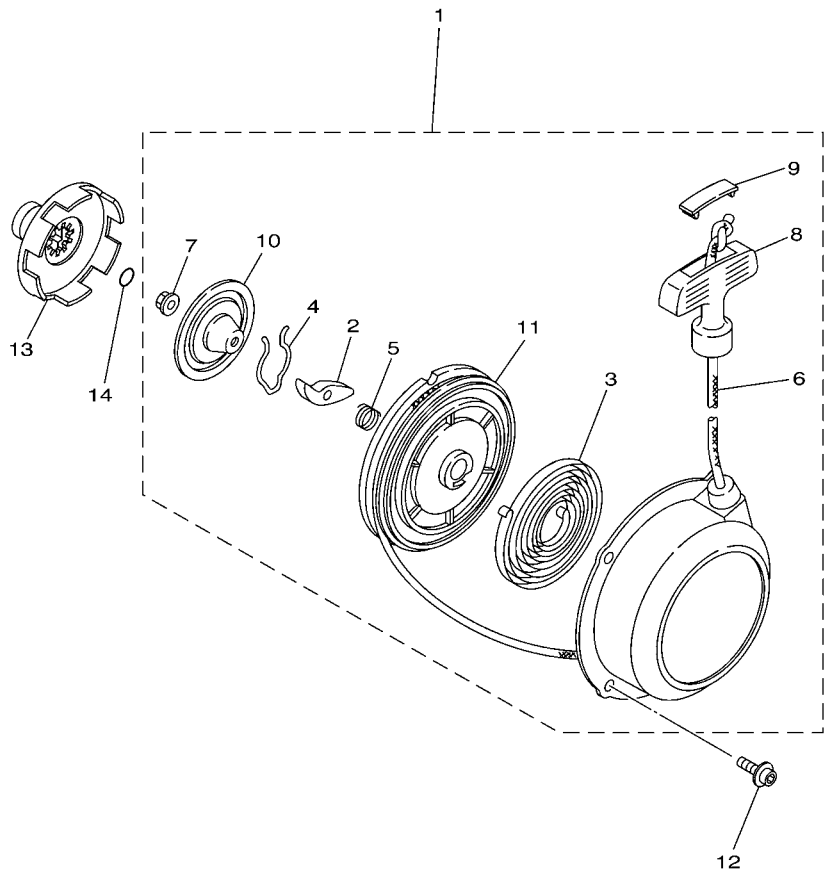
REF. NO.	PART NO.	DESCRIPTION	EUR	OCE			REMARKS
1	1P0-F816R-00	LABEL, WARNING GENERAL INFO.	1				
2	1P0-F816L-20	LABEL, WARNING AGE	1				
3	4XE-F1539-10	RIVET	10				
4	4XE-F1549-00	WASHER, FENDER MOLD	10				
5	37S-F817R-00	LABEL, LOAD LIMIT	1				
6	3B4-26232-01	EMBLEM 3D	1				
7	5FU-F816M-M0	LABEL, WARNING TIRE & LOAD	1				
8	4XE-F1539-10	RIVET	4				
9	4XE-F1549-00	WASHER, FENDER MOLD	4				
10	37S-F817R-10	LABEL, LOAD LIMIT	1				
11	1AB-F1788-10	GRAPHIC	2				
12	5UG-F153A-70	EMBLEM, YAMAHA	2				
13	4XE-F415E-10	LABEL, CAUTION	1				
14	1P0-F8186-01	POUCH	1				




5WHR300-K440

FIG. 44 EMBLEM & LABEL 2

REF. NO.	PART NO.	DESCRIPTION	EUR	OCE	REMARKS
1	4XE-F1568-10	LABEL, WARNING		1	ENGLISH
2	1P0-F816L-00	LABEL, WARNING AGE		1	ENGLISH
3	4XE-F1539-10	RIVET		10	
4	4XE-F1549-00	WASHER, FENDER MOLD		10	
5	5ND-F4877-20	LABEL, CAUTION		1	ENGLISH
6	3B4-26232-01	EMBLEM 3D		1	
7	5FU-F816M-20	LABEL, WARNING TIRE & LOAD		1	ENGLISH
8	4XE-F1539-10	RIVET		4	
9	4XE-F1549-00	WASHER, FENDER MOLD		4	
10	5ND-F4897-20	EMBLEM		1	ENGLISH
11	1AB-F1788-10	GRAPHIC		2	
12	5UG-F153A-70	EMBLEM, YAMAHA		2	
13	1P0-F8186-01	POUCH		1	




5UHG100-F120

FIG. 45 ALTERNATE FOR ENGINE

REF. NO.	PART NO.	DESCRIPTION	EUR	OCE			REMARKS
1	5UH-15710-00	STARTER ASSY	1	1			AP
2	21V-15741-00	.PAWL, DRIVE	1	1			
3	5UH-15713-00	.SPRING, STARTER	1	1			
4	21V-15715-01	.SPRING, FRICTION	1	1			
5	21V-15767-00	.SPRING	1	1			
6	21V-15751-00	.WIRE, STARTER	1	1			
7	95702-06500	.NUT, FLANGE	1	1			
8	3X3-15755-00	.HANDLE, STARTER	1	1			
9	21V-15779-00	.COVER	1	1			
10	5UH-15716-00	.PLATE, DRIVE	1	1			
11	24W-15714-00	.DRUM, SHEAVE	1	1			
12	90110-06285	BOLT, HEXAGON SOCKET HEAD	4	4			AP
13	5KM-15723-00	PULLEY, STARTER	1	1			AP
14	93210-16290	O-RING	1	1			AP

NUMERICAL INDEX

PART NO.	REF. NO.	PART NO.	REF. NO.	PART NO.	REF. NO.	PART NO.	REF. NO.	PART NO.	REF. NO.	PART NO.	REF. NO.
5YT-11101-20	1 - 1	5UH-12231-00	5 - 11	5DM-14985-00	8 - 30	5UH-17453-00	14 - 10	5UH-18300-01	16 - 21	1UY-25926-51	29 - 32
3Y1-1111F-00	1 - 8	5UH-12241-00	5 - 12	7T9-14987-00	8 - 42	5UH-17521-00	15 - 1	5UH-18511-00	16 - 5	3GD-25933-00	29 - 11
3Y1-11127-00	1 - 7	1S3-13132-00	6 - 13	5WH-15100-09	10 - 1	5UH-17523-00	14 - 20	2A6-18535-00	16 - 6		29 - 26
4X7-11127-00	2 - 1	5UH-1319K-00	6 - 10	5UH-15113-00	11 - 4	5UH-17530-10	15 - 8	5GH-18617-00	16 - 25	1UY-25934-51	29 - 14
3Y1-11133-11	1 - 2	5UH-13300-00	6 - 1	5UH-15163-00	13 - 4	5GH-17531-00	15 - 18	1W1-22128-00	23 - 5		29 - 29
4KB-11145-00	5 - 9	5UH-13327-00	6 - 4	5UH-15315-00	11 - 19	5KM-17531-00	15 - 5	2HR-23526-00	24 - 11	1UY-25937-51	29 - 12
4WU-11160-01	1 - 18	5UH-13329-00	6 - 2	5UH-15317-00	11 - 27	5GH-17531-10	15 - 18	37S-23549-00	24 - 2		29 - 27
4KB-11165-00	1 - 19	5UH-13411-00	6 - 6	5KM-15351-00	11 - 23	5KM-17531-10	15 - 5		24 - 5	1UY-25938-51	29 - 16
1UY-11181-01	1 - 11	5GH-13440-20	6 - 11	517-15362-10	11 - 13	5GH-17531-20	15 - 18		28 - 12		29 - 31
2NL-11186-12	1 - 26	5UH-13586-00	7 - 1	2N4-15371-00	22 - 15	5KM-17531-20	15 - 5		28 - 30	1NV-26129-00	31 - 15
2NL-11187-11	1 - 27	5UH-14103-00	8 - 39	5UH-15379-00	11 - 24	5GH-17531-30	15 - 18	8K1-23814-00	25 - 3	3B4-26232-01	43 - 6
214-11198-01	10 - 13	5FU-14105-10	8 - 7	4WV-15381-00	10 - 17	5KM-17531-30	15 - 5	37S-23831-00	25 - 15		44 - 6
	22 - 14	4SV-14107-20	8 - 14	2K7-15383-00	10 - 10	5GH-17531-40	15 - 18	37S-23833-00	25 - 18	4KB-26250-11	31 - 5
5YT-11310-00	2 - 2	5UH-1410A-00	8 - 21	11H-15383-02	15 - 3	5KM-17531-40	15 - 5	37S-23834-00	25 - 19	1NV-2625G-01	31 - 7
4KB-11351-00	2 - 8	5DM-14112-00	8 - 5	5GH-15388-00	10 - 8	5GH-17531-50	15 - 18	37S-23841-00	25 - 16	4KB-2628F-10	31 - 6
5UH-11400-00	3 - 1	5DM-14141-42	8 - 16	5UH-15411-00	11 - 1	5KM-17531-50	15 - 5	4S2-23845-00	25 - 17	4KB-2628G-00	31 - 14
5KM-11447-00	3 - 18	4KM-14142-17	8 - 36	5UH-15420-00	11 - 17	5GH-17531-60	15 - 18	2GU-23872-00	17 - 22	1NV-26304-00	31 - 13
5UH-11454-01	3 - 24	3H1-14147-00	8 - 9	5UH-15421-00	11 - 18	5KM-17531-60	15 - 5	1UY-23894-01	25 - 10	5GH-26311-10	31 - 20
5UH-11531-00	3 - 27	522-14161-00	8 - 27	5UH-15431-00	11 - 21	5KM-17531-70	15 - 5	5KM-24500-01	26 - 3	5EB-26332-00	32 - 7
5UH-11536-00	3 - 8	5FU-14167-00	8 - 43	5UH-15442-00	10 - 14	5GH-17551-00	15 - 9	4X8-24512-00	26 - 7	5TE-26341-00	31 - 22
5UH-11565-00	3 - 11	127-14186-00	8 - 13	5UH-15451-00	11 - 6	5UH-17556-10	15 - 14	3AC-24523-00	26 - 4	20E-26343-00	31 - 23
4GB-11610-00	3 - 20	3FV-14191-00	8 - 23	5UH-15463-00	13 - 13	5UH-17582-11	14 - 7	5GH-24524-00	26 - 8		33 - 10
4GB-11610-20	3 - 20	24W-14193-00	7 - 7	3C2-15492-00	11 - 15	5UH-17583-01	14 - 22	3AJ-24534-01	26 - 5	5TE-26361-00	33 - 25
4GB-11610-40	3 - 20	4KB-14193-20	8 - 19	5UH-15512-00	12 - 1	5UH-17611-00	13 - 27	5KM-24610-00	26 - 2	5GH-2637F-10	33 - 26
5UH-11631-00-C0	3 - 19	5FU-14197-00	8 - 31	5UH-15517-00	12 - 3	5UH-17620-00	13 - 15	5GT-2512A-00	28 - 5	1NV-26398-00	31 - 16
55V-11633-00	3 - 22	3DM-14216-00	8 - 45	1VJ-15521-00	12 - 2	5UH-17623-00	13 - 18		28 - 24	109-27114-00	21 - 12
5UH-11636-00	3 - 19	4KM-14216-00	8 - 17	5KM-15590-00	12 - 5	4WV-17632-00	13 - 17		30 - 47	1NV-2811A-01	17 - 30
5UH-11638-00	3 - 19	1HX-14231-16	8 - 18	5UH-15710-00	45 - 1	5UH-17639-00	13 - 22	5HA-25181-00	28 - 6	3HN-46108-01	22 - 32
5UH-11651-00	3 - 6	3G2-1423A-62	8 - 22	5UH-15713-00	45 - 3	5UH-17641-01	13 - 26	4SH-25367-01	30 - 11	29U-46125-00	22 - 10
30X-11681-00	3 - 4	3G2-1423E-51	8 - 10	24W-15714-00	45 - 11	5UH-17644-00	13 - 37	3GD-2580T-01	29 - 5	2HR-46187-00	22 - 35
1UY-12111-01	4 - 1	5DM-14261-00	8 - 11	21V-15715-01	45 - 4	5UH-17645-00	13 - 25	3GD-2580U-01	29 - 20	5UH-81410-00	35 - 1
22U-12113-00	4 - 4	5UH-14348-00	8 - 41	5UH-15716-00	45 - 10	4WV-17653-00	13 - 19	3GD-25827-00	29 - 10	5UH-81450-00	35 - 5
1UY-12114-01	4 - 5	31A-14419-00	7 - 24	5KM-15723-00	45 - 13	4WV-17654-01	13 - 20	3GD-25828-00	29 - 25	3AJ-81809-00	36 - 4
3Y1-12116-00	4 - 3	5BF-1443E-00	11 - 29	3D5-15730-00	11 - 39	5UH-17660-00	13 - 30	5KM-2583T-01	32 - 1	3XF-81815-00	36 - 9
3Y1-12117-01	4 - 7		19 - 5	21V-15741-00	45 - 2	4CW-17664-00	13 - 34	5X-25852-01	32 - 4	3HE-81826-00	36 - 6
1J7-12118-00	4 - 8	583-14561-00	8 - 12	21V-15751-00	45 - 6	5UH-17670-00	13 - 31	4L0-25854-00	32 - 3	4XV-8182A-00	36 - 11
1UY-12121-01	4 - 2	5DM-14561-00	8 - 15	3X3-15755-00	45 - 8	5UH-17681-20	14 - 1	2GU-25866-00	32 - 13	3HE-81830-00	36 - 5
M01-12129-00	4 - 6	1FN-14565-00	8 - 29	21V-15767-00	45 - 5	5UH-17684-00	13 - 36	5GH-25867-00	32 - 6	3HE-81840-00	36 - 2
3GD-12151-11	4 - 9	3GD-14613-00	9 - 10	21V-15779-00	45 - 9	4WV-17811-00	37 - 1	1FK-2589F-00	32 - 11	11H-81844-00	36 - 7
4SH-12156-00	4 - 11	5EL-1490H-00	8 - 37	5UH-16181-00	3 - 17	59V-17811-00	37 - 6	3GD-25914-00	29 - 18	1FK-81847-00	36 - 8
31G-12158-00	4 - 14	5UH-1490J-00	8 - 2	5UH-16611-00	13 - 1	4WV-17831-00	37 - 3		29 - 33	3HE-81850-00	36 - 3
31G-12159-02	4 - 13	5GH-14918-10	8 - 6	5UH-16620-00	13 - 2	4WV-17841-00	37 - 4	3GD-25916-00	29 - 19	4G0-81871-00	36 - 10
5UH-12170-10	5 - 1	5DM-14933-00	8 - 3	5UH-16626-00	13 - 3	5UH-18103-00	16 - 1		29 - 34	3HE-81890-00	36 - 1
5UH-12176-00	5 - 6	4XE-14937-00	8 - 40	5GH-16664-00	13 - 11	5UH-18115-01	16 - 18	1UY-25917-51	29 - 13	4SV-81940-12	41 - 35
31G-12210-01	5 - 13	5GH-14937-00	8 - 35	5UH-17168-00	14 - 4	5GH-18131-00	16 - 22		29 - 28	5DM-81950-00	41 - 50
3GD-12213-00	5 - 16	5GH-14940-10	8 - 4	5UH-17223-10	14 - 8	5TE-18174-00	16 - 24	1UY-25919-51	29 - 15	29U-81950-93	41 - 49
31G-12214-00	5 - 15	256-14956-01	8 - 44	5UH-17285-00	14 - 14	5UH-18191-00	16 - 15		29 - 30	5GT-81960-00	41 - 22
31G-12222-00	5 - 14	3H1-14962-00	8 - 8	5UH-17421-10	14 - 6	4SH-18198-00	16 - 11	1UY-25926-51	29 - 17	3WP-81980-00	41 - 48

NUMERICAL INDEX

PART NO.	REF. NO.	PART NO.	REF. NO.	PART NO.	REF. NO.	PART NO.	REF. NO.	PART NO.	REF. NO.	PART NO.	REF. NO.
5FU-82103-00	41 - 16	2GU-84332-00	38 - 5	5UH-E477R-00	9 - 3	5ND-F1652-00	19 - 9	5FU-F531E-10	30 - 39	4S2-F817S-00	21 - 14
371-82121-00	41 - 26	2GU-84334-00	38 - 6	5UH-E477T-00	9 - 5	5UH-F171A-00	20 - 1	5VH-F5321-01	30 - 16	1P0-F8186-01	43 - 14
1AE-82151-00	41 - 36	5EH-84340-00	38 - 3		9 - 17	5UH-F171A-10	20 - 1	5FU-F5327-01	30 - 30		44 - 13
5JJ-82151-10	41 - 46	5KM-84710-00	39 - 1	5ND-E4788-00	9 - 15	5UH-F171A-50	20 - 1	5VH-F5333-00	30 - 19	5UH-F8309-01	18 - 2
5JJ-82151-30	41 - 47	1A2-84714-41	39 - 2	5UH-E5336-00	17 - 3	5ND-F174M-00	20 - 2	5FU-F5336-00	30 - 40	5UH-F8349-00	18 - 8
3D5-82180-00	41 - 44	5KM-8472C-10	39 - 3		17 - 9	5FU-F175B-01	18 - 3	5VH-F533A-01	30 - 20	5UH-F834L-00	37 - 13
5KM-82310-00	41 - 7	3Y6-85130-02	42 - 1		17 - 15	1AB-F1788-10	43 - 11	5VH-F5351-01	30 - 17	5UH-F837L-11	37 - 14
1UY-82370-20	41 - 12	5UH-85540-00	41 - 1	5UH-E5471-00	11 - 28		44 - 11	5VH-F5355-01	30 - 23	5UH-F845N-00	34 - 1
5TE-82509-00	41 - 19	3C2-E1166-00	1 - 21	5ND-E5472-00	11 - 31	3C2-F2110-00	21 - 1	5VH-F5359-00	30 - 26	5ND-F8488-20	21 - 15
5KM-82510-00	41 - 39	5UH-E2405-10	6 - 16	5ND-E5473-00	11 - 32	5ND-F2123-00	21 - 5	5FU-F5377-11	30 - 41	5ND-F8488-30	21 - 15
4KB-82530-10	41 - 42	5UH-E3464-01	6 - 17	5UH-E5474-00	11 - 33	5ND-F2189-00	21 - 8	5FU-F537Y-00	30 - 33	5ND-G6101-03	22 - 1
3GB-82540-01	41 - 5	3D5-E3465-00	6 - 18	4XE-E7537-15	22 - 25	4XE-F219X-01	21 - 11	5TE-F5381-01	30 - 36	4XE-G6102-00	22 - 4
3D5-82560-00	41 - 45	5UH-E3480-00	6 - 15	4XE-E7537-30	22 - 25	5UH-F2210-01	23 - 1	5ND-F5383-11	30 - 7	4XE-G6117-25	22 - 27
5FU-82560-20	41 - 18	5UH-E3573-00	6 - 19	4XE-E7537-40	22 - 25	5UH-F2825-00	17 - 26	5FU-F5384-00	30 - 43	4XE-G6117-30	22 - 27
3HN-82569-00	41 - 40	5UH-E3577-00	6 - 20	4XE-E7537-45	22 - 25	5ND-F3192-01	32 - 18	5ND-F5390-11	30 - 1	4XE-G6117-35	22 - 27
3HN-82579-00	41 - 41	5UH-E4101-01	8 - 1	4XE-E7537-50	22 - 25	5UH-F3350-01	24 - 14		30 - 4	4XE-G6117-40	22 - 27
5VH-82590-40	41 - 43	5FU-E4147-00	8 - 25	4XE-E7537-60	22 - 25	5ND-F3501-10	28 - 7	5VH-F539F-01	30 - 27	4XE-G6117-45	22 - 27
1YW-82911-02	40 - 1	5FU-E4155-00	8 - 38	5UH-F1110-02	17 - 1	5ND-F3502-10	28 - 25	1P0-F5411-00	30 - 8	4XE-G6117-50	22 - 27
2XJ-82913-00	40 - 4	5UH-E4191-00	7 - 17	5UH-F1315-01	17 - 2	5ND-F3540-12	24 - 1		30 - 42	4XE-G6118-10	22 - 26
4V4-82913-00	31 - 17	5ND-E4191-10	16 - 27	5UH-F1316-01	17 - 8	5ND-F3550-12	24 - 4	5VH-F5818-00	30 - 25	4XE-G6118-11	22 - 26
4VV-83371-00	41 - 71	5UH-E4349-00	7 - 6	4XE-F1399-00	34 - 2	5ND-F357A-01	24 - 9	5ND-F582T-00	29 - 1	4XE-G6118-12	22 - 26
5GH-83516-00	41 - 33	5UH-E4411-00	7 - 9	5ND-F1446-01	17 - 23	5ND-F358A-01	24 - 10		29 - 3	4XE-G6118-13	22 - 26
2GV-83517-00	37 - 19	5UH-E4412-00	7 - 13	5ND-F147A-02	17 - 32	37S-F3812-00	25 - 6	5ND-F5871-00	32 - 15	4XE-G6118-14	22 - 26
3GM-83517-00	37 - 23	5UH-E4424-00	7 - 15	5ND-F1486-00	17 - 7	5ND-F3813-10	25 - 1	5ND-F5872-01	32 - 12	4XE-G6118-15	22 - 26
42X-83517-00	37 - 18	5ND-E442F-00	7 - 19		17 - 12	5ND-F3816-12	25 - 2	5ND-F5873-01	32 - 14	4XE-G6118-16	22 - 26
4R0-83517-00	37 - 22	5ND-E4437-02	7 - 21	5ND-F1488-00	17 - 16	5ND-F3868-00	25 - 8	5ND-F5875-01	32 - 16	4XE-G6118-17	22 - 26
4X8-83524-00	37 - 26	5UH-E4438-00	7 - 18	5UH-F1500-L0	18 - 1	5UH-F4110-00	26 - 1	5VH-F5898-00	30 - 24	4XE-G6118-18	22 - 26
437-83525-00	37 - 27	5UH-E4451-10	7 - 12	5UH-F1500-P0	18 - 1	5UH-F414H-01	26 - 22	5FU-F6111-10	31 - 1	4XE-G6118-19	22 - 26
1M1-83526-00	37 - 25	5UH-E4453-00	7 - 20	5UH-F1500-R0	18 - 1	4XE-F415E-10	43 - 13	5ND-F6124-01	31 - 3	4XE-G6118-20	22 - 26
4KB-83530-31	41 - 32	5UH-E4458-00	7 - 10	5ND-F151K-00	21 - 14	5UH-F4311-00	26 - 19	5FU-F6241-10	31 - 2	4XE-G6118-21	22 - 26
4SH-83536-00	37 - 21	5UH-E4462-00	7 - 14	4XE-F1539-10	43 - 3	5ND-F470F-01	27 - 2	5VH-F6331-00	31 - 21	5ND-G6151-01	22 - 2
4SH-83536-10	37 - 17	5UH-E4468-00	7 - 11		43 - 8	5ND-F470F-50	27 - 2	5TE-F7211-00	33 - 5	5ND-G6152-00	22 - 16
4SH-83570-00	37 - 20	5UH-E4611-00	9 - 1		44 - 3	5ND-F4710-03	27 - 1	5TE-F7412-11	33 - 3	5FU-G6156-00	22 - 23
4SH-83570-10	37 - 16	5UH-E4612-00	9 - 2		44 - 8	5ND-F4710-40	27 - 1	5UH-F741A-10	33 - 19	5FU-G6157-10	22 - 28
4GB-83591-10	41 - 13	5UH-E4628-01	9 - 4	5UG-F153A-70	43 - 12	4XE-F4747-00	27 - 3	5ND-F7445-00	33 - 18	5FU-G6157-15	22 - 28
5FU-83790-00	41 - 15	5UH-E4638-00	9 - 19		44 - 12	5ND-F4776-00	27 - 5	5UH-F7445-01	33 - 30	5FU-G6157-20	22 - 28
1UY-83909-00	40 - 13	5UH-E4711-00	9 - 11	4XE-F1549-00	43 - 4	4XE-F478V-00	27 - 4	5ND-F7453-01	33 - 16	5FU-G6157-30	22 - 28
2HT-83912-00	40 - 2	5ND-E4714-00	9 - 20		43 - 9	5TE-F4841-01	34 - 4	5ND-F7463-01	33 - 17	5FU-G6157-40	22 - 28
5KM-83922-00	32 - 8	5ND-E4715-00	9 - 21		44 - 4	5ND-F4842-00	34 - 6	5ND-F7471-01	33 - 1	5FU-G6157-50	22 - 28
5GH-83941-00	40 - 12	5UH-E4718-00	9 - 14		44 - 9	5TE-F4842-10	34 - 6	5UH-F7491-01	33 - 27	5ND-G6172-10	22 - 30
3L4-83943-00	40 - 14	5ND-E4719-00	9 - 13	4XE-F1568-10	44 - 1	5ND-F4877-20	44 - 5	5ND-F8100-00	17 - 29	4XE-G6513-00	30 - 34
1YW-83965-00	40 - 3	5UH-E4728-01	9 - 16	5ND-F1585-01	17 - 24	5ND-F4897-20	44 - 10	1P0-F816L-00	44 - 2	5TE-G6540-12	21 - 2
5LP-83973-01	40 - 11	5ND-E4737-00	9 - 26	37S-F1600-20	19 - 1	5ND-F5111-21	28 - 14	1P0-F816L-20	43 - 2	5UH-H1318-00	41 - 9
4GB-83976-00	40 - 18	5ND-E4752-00	9 - 12	37S-F1600-A0	19 - 1		28 - 32	5FU-F816M-20	44 - 7	5TE-H2100-00	41 - 24
5LP-83980-00	32 - 10	5ND-E4759-00	9 - 23	37S-F1600-B0	19 - 1	5ND-F514A-00	28 - 38	5FU-F816M-M0	43 - 7	5TE-H2115-00	41 - 30
3FA-83980-03	40 - 7	5UH-E4769-10	7 - 16	5ND-F163A-02	19 - 7	5ND-F5180-11	28 - 1	1P0-F816R-00	43 - 1	5UH-H2116-00	41 - 31
4KB-84314-01	38 - 1	5ND-E4777-00	9 - 22	5ND-F163E-00	19 - 8		28 - 20	37S-F817R-00	43 - 5	5ND-H2119-00	41 - 27
5KM-84320-01	38 - 2	5UH-E477K-01	9 - 6	5ND-F163F-00	19 - 10	5FU-F5319-10	30 - 31	37S-F817R-10	43 - 10	5TE-H2128-01	41 - 25

NUMERICAL INDEX

PART NO.	REF. NO.	PART NO.	REF. NO.	PART NO.	REF. NO.	PART NO.	REF. NO.	PART NO.	REF. NO.	PART NO.	REF. NO.
5UH-H252R-00	37 - 24	90119-06157	34 - 8	90201-08016	41 - 17	90338-14827	31 - 4	90464-31827	41 - 54	91402-20025	25 - 14
5VH-H3550-00	37 - 28		37 - 12	90201-08066	33 - 14		41 - 34		41 - 65	91402-25020	24 - 8
8CR-W0041-00	32 - 2	90119-06244	33 - 28	90201-08070	7 - 4	90340-14029	10 - 12		41 - 66		25 - 21
3GD-W0045-01	29 - 9	90119-06246	19 - 4	90201-10035	30 - 49		22 - 24	90464-39800	1 - 23		30 - 28
	29 - 24	90119-06883	26 - 14	90201-10036	22 - 39	90340-14046	22 - 13	90464-40825	41 - 20	91402-30025	23 - 7
3GD-W0047-00	29 - 7		26 - 18	90201-10038	3 - 14	90340-14117	11 - 11		41 - 53	91402-30030	28 - 19
	29 - 22	90119-08114	15 - 19	90201-10056	9 - 25	90381-08002	37 - 2		41 - 55		28 - 37
1UY-W0048-50	29 - 8	90123-08046	40 - 8	90201-10118	32 - 21	90387-06113	6 - 22		41 - 60		30 - 46
	29 - 23	90149-04278	31 - 8	90201-10128	1 - 16	90387-0613B	16 - 12	90464-48800	41 - 61	91A20-07014	7 - 8
3GD-W0057-00	29 - 6	90149-05299	20 - 3	90201-10591	5 - 8	90387-066J1	26 - 13		41 - 62	92502-06030	35 - 2
	29 - 21		33 - 22	90201-12049	23 - 6	90387-16547	26 - 17		41 - 68	92902-04100	8 - 33
5UH-W1141-00	3 - 2	90149-06108	26 - 11	90201-12163	37 - 9	90387-090R0	25 - 11		41 - 70	92902-05200	42 - 2
5UH-W1142-00	3 - 3	90149-08013	15 - 4	90201-12172	10 - 7	90387-10636	9 - 27	90464-51800	41 - 51	92902-05600	31 - 19
5VH-WF536-00	30 - 18	90151-06023	10 - 11		41 - 14	90387-16547	2 - 4	90465-08127	11 - 10	92902-06600	5 - 19
5GT-Y4612-00	22 - 7	90157-04006	13 - 23	90201-132G5	16 - 13	90387-255H9	22 - 9	90467-07029	22 - 41		35 - 3
90101-06824	30 - 21	90170-08358	16 - 19	90201-14021	25 - 12	90387-284T0	30 - 37	90467-070A0	30 - 51		41 - 11
90101-10016	5 - 7	90170-16326	3 - 30	90201-14023	33 - 9	90388-10001	11 - 26	90467-100A1	26 - 20	92902-08600	22 - 21
90101-10017	3 - 15	90170-36279	13 - 38	90201-15701	16 - 3	90401-10015	32 - 20	90467-140A4	1 - 22	92907-04600	8 - 34
90105-05016	6 - 7	90171-12001	24 - 7	90201-166R6	15 - 15	90401-20145	6 - 12	90467-150A2	16 - 28	92907-05100	40 - 16
90105-06053	37 - 11		25 - 20	90201-16804	28 - 17	90430-06192	1 - 5	90467-160A4	11 - 30	93101-12168	10 - 16
90105-08150	15 - 7	90171-16002	28 - 18		28 - 35	90430-10148	41 - 6		19 - 6	93101-31167	13 - 16
90105-08161	29 - 35		28 - 36		30 - 44	90430-14043	6 - 14	90480-01400	26 - 15	93101-35097	15 - 13
90105-088A4	30 - 35		30 - 45	90201-17013	14 - 13	90430-14194	16 - 10	90480-10517	17 - 28		30 - 14
90105-10136	1 - 15	90179-06668	9 - 9	90201-190T7	13 - 28	90430-14240	1 - 13	90480-13018	11 - 22	93101-38098	22 - 12
90105-10137	1 - 14	90179-08148	40 - 9	90201-20278	14 - 11	90445-07807	30 - 50	90480-15235	6 - 21	93101-52116	22 - 5
90105-10193	17 - 13	90179-10022	28 - 4	90201-21015	14 - 9	90445-07810	22 - 40	90480-18290	26 - 12	93102-08307	37 - 10
90105-10267	24 - 12		28 - 23	90201-25290	12 - 4	90445-088C5	26 - 21	90501-101A7	6 - 9	93102-15212	16 - 2
90105-10284	17 - 17		30 - 9	90202-05193	26 - 10	90446-16001	16 - 26	90501-10353	16 - 8	93102-25081	17 - 20
90105-10287	30 - 48		30 - 15	90206-12001	4 - 10	90450-47002	7 - 5	90501-10782	31 - 24	93102-25099	17 - 21
90105-10841	24 - 16	90179-16005	13 - 29	90209-06012	6 - 23	90450-56008	7 - 25		33 - 11	93102-28017	11 - 3
90105-12057	21 - 6		13 - 39	90209-33253	3 - 7	90450-58002	7 - 22	90501-22721	3 - 9	93102-32483	13 - 6
90105-12803	23 - 2	90179-16006	15 - 16	90215-06162	1 - 10		7 - 23	90501-580A0	13 - 35	93102-42004	14 - 5
90105-14003	16 - 9	90179-22005	13 - 12	90215-16258	3 - 29	90450-64002	11 - 34	90506-07135	21 - 9	93102-65386	22 - 17
90109-06172	17 - 33	90179-22015	15 - 6	90240-08005	33 - 13	90460-85277	21 - 10	90506-12403	33 - 29	93104-09025	31 - 12
90109-06262	33 - 21	90179-65305	15 - 11	90240-12092	23 - 4	90461-08134	11 - 37	90506-16482	30 - 29	93104-41119	13 - 32
90109-06576	40 - 5	90183-050A8	38 - 7	90249-12008	31 - 25	90462-06016	41 - 3	90508-35764	16 - 14	93106-38046	28 - 9
90109-06865	41 - 8	90183-051A0	20 - 4		33 - 12	90464-10833	41 - 38	90560-30325	28 - 11		28 - 27
90109-08082	29 - 2	90183-06053	18 - 7	90267-489U1	33 - 31	90464-12830	41 - 52		28 - 29	93106-38047	28 - 10
	29 - 4	90183-08800	18 - 4	90267-489U9	33 - 20		41 - 64	91312-05012	11 - 5		28 - 28
90110-06007	20 - 5	90185-10012	24 - 13	90269-05055	16 - 23		41 - 67		35 - 4	93106-47040	30 - 12
90110-06285	45 - 12		24 - 15	90269-06800	11 - 35		41 - 69	91312-06020	1 - 29	93112-31800	25 - 7
90114-10014	28 - 15	90185-12009	23 - 3	90269-06804	18 - 6	90464-16006	41 - 58	91312-06025	1 - 25	93210-09165	4 - 12
	28 - 33	90185-14009	25 - 13	90269-08813	11 - 36	90464-25800	41 - 56		11 - 16	93210-14104	37 - 29
90116-06041	1 - 6	90201-047R9	13 - 24	90280-05048	3 - 13		41 - 57	91312-06030	2 - 7	93210-14299	14 - 16
90116-10593	22 - 3	90201-05042	33 - 23	90282-05013	3 - 28		41 - 59	91312-08016	12 - 6	93210-14369	11 - 12
90119-06157	18 - 5	90201-06036	16 - 16	90336-28053	25 - 5		41 - 63	91312-08025	7 - 3	93210-16290	11 - 40
	18 - 9	90201-06090	26 - 16	90338-08226	41 - 4	90464-31827	37 - 31	91312-08050	1 - 17		45 - 14
	19 - 3	90201-06097	39 - 4	90338-09801	19 - 2		41 - 21	91402-20020	33 - 15	93210-17003	5 - 2

NUMERICAL INDEX

PART NO.	REF. NO.	PART NO.	REF. NO.	PART NO.	REF. NO.	PART NO.	REF. NO.	PART NO.	REF. NO.	PART NO.	REF. NO.
93210-17003	14 - 15	93410-22039	22 - 31	95027-06020	40 - 10	95822-06030	10 - 19				
93210-18322	2 - 5	93410-46079	13 - 8	95302-05600	42 - 3		11 - 20				
93210-19026	11 - 14	93430-10015	33 - 8	95302-08700	16 - 20	95822-08020	17 - 25				
93210-24253	37 - 5	93440-12052	1 - 3	95307-05700	31 - 11	95822-10040	9 - 24				
93210-26606	30 - 38	93440-14155	14 - 24	95312-06700	33 - 6	97002-06012	1 - 9				
93210-27666	28 - 16	93440-15012	16 - 4	95602-05100	31 - 10	97002-06020	41 - 10				
	28 - 34	93440-20088	22 - 34	95602-10200	17 - 6	97012-06020	33 - 7				
93210-32172	37 - 8		22 - 37		17 - 14	97022-06016	5 - 18				
93210-44545	7 - 2	93440-25084	14 - 21		17 - 18	97022-08025	22 - 20				
	13 - 33	93450-19095	3 - 21	95602-12200	21 - 7	97022-08060	25 - 9				
93210-57634	1 - 28		3 - 23	95606-06100	32 - 9	97702-60016	41 - 29				
93210-59531	22 - 11	93450-24062	13 - 10	95607-06100	40 - 6	97702-60420	41 - 2				
93210-64297	17 - 31	93503-08007	16 - 7	9560L-06200	30 - 22	98501-04014	8 - 32				
93210-76800	22 - 29	93505-16006	6 - 8	95702-05300	33 - 24	98502-03540	38 - 4				
93210-78544	15 - 17	93603-14240	14 - 23	95702-06300	39 - 5	98502-05010	37 - 15				
93210-86509	2 - 3	93604-10011	5 - 3	95702-06500	45 - 7	98502-05020	31 - 18				
93211-06635	1 - 24	93605-10090	3 - 10	95702-10500	21 - 4	98502-06016	37 - 7				
93211-51749	22 - 19	93900-00813	28 - 3		22 - 38	98502-06030	37 - 30				
93211-52001	13 - 21		28 - 22	95802-06020	6 - 24	98507-03014	26 - 6				
93306-00401	14 - 2		30 - 3		41 - 23	98507-04006	8 - 24				
93306-00438	5 - 4		30 - 6		41 - 28	98507-04008	8 - 28				
93306-00502	5 - 5	94108-12803	28 - 2	95802-06025	32 - 22	98507-04014	8 - 26				
93306-00612	3 - 25		28 - 21	95802-08012	21 - 13	98507-05020	31 - 9				
93306-006Y2	28 - 8	94108-12816	28 - 2	9580P-06035	9 - 18	98507-05030	40 - 17				
	28 - 26		28 - 21	95812-06010	17 - 27	98517-05012	40 - 15				
93306-008Y0	30 - 10	94110-12801	30 - 2	95812-06012	41 - 72	98580-04010	8 - 20				
93306-07801	11 - 2		30 - 5	95812-06016	9 - 7	98702-04018	26 - 9				
93306-20103	10 - 15	94110-12813	30 - 2	95812-06020	9 - 8	98706-04012	32 - 5				
93306-20306	14 - 18		30 - 5	95812-06035	16 - 17	98902-05016	38 - 8				
93306-203YN	17 - 19	94591-54034	14 - 19	95812-08012	17 - 4	99009-32400	3 - 12				
93306-20402	3 - 26	94591-87110	5 - 10		17 - 10		24 - 3				
93306-20464	14 - 17	94701-00333	1 - 30		33 - 2		24 - 6				
93306-20532	15 - 2	95022-06008	41 - 37		33 - 4		28 - 13				
93306-20601	14 - 3	95022-06012	1 - 20		34 - 3		28 - 31				
93306-20715	15 - 12		6 - 5		34 - 5	99009-80500	13 - 7				
93306-278Y0	30 - 13		10 - 18		34 - 7	99530-10116	10 - 2				
93306-30538	15 - 10		11 - 38	95812-08030	25 - 4		10 - 20				
93306-305Y6	22 - 8	95022-06014	1 - 4	95812-10020	21 - 3		11 - 7				
93306-30611	3 - 16	95022-06025	5 - 17		21 - 16	99530-14016	1 - 12				
93310-420F2	14 - 12		6 - 3	95812-10025	22 - 22		2 - 6				
93310-633P5	3 - 5		36 - 12	95812-10080	17 - 11						
93311-42077	14 - 25	95022-06030	11 - 9	95812-10110	17 - 5						
93315-21813	13 - 9		13 - 14	95822-06012	10 - 9						
93316-01003	13 - 5	95022-06050	10 - 3		28 - 39						
93316-013Y0	22 - 18		11 - 8		30 - 32						
93317-855Y9	22 - 6	95022-06070	10 - 5		32 - 17						
93399-99926	22 - 33	95022-08045	10 - 4		32 - 19						
	22 - 36	95022-12040	10 - 6	95822-06020	11 - 25						